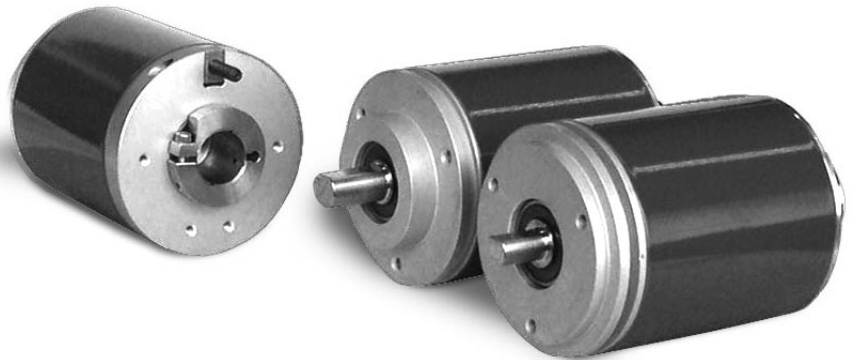


ROTACOD

Absolute programmable Encoder

series

AM58 P • AM58S P • AMC58 P



AM58 P-AM58S P-AMC58 P



www.lika.biz

- manual
- datasheet
- suppl. information

ENVIRONMENTAL SPECIFICATIONS

Shock:	100 g, 6 ms (acc. to MIL STD 202F)
Vibrations:	10 g, 5-2000 Hz (acc. to MIL STD 202F)
Operating temperature range:	-20°C +70°C (-4°F +158°F)
Storage temperature range:	-20°C +80°C (-4°F +176°F) (98% R.H.without condensation)
Protection:	IP65
Option:	• Operating temperature range: -40°C +100°C (-40°F +212°F)

MECHANICAL SPECIFICATIONS

Dimensions:	see drawing
Shaft:	Ø 6, 8, 9.52, 10, 12, 14, 15 mm
Shaft loading (axial and radial):	100 N max.
Shaft rotational speed:	6000 rpm max.
Moment of inertia:	80 gcm ²
Bearing life:	400x10 ⁶ rev. min. (10 ⁶ rev. min. with shaft loading of 20 N max.)
Weight:	~0,3 kg (10,6 oz)
Electrical connections (see on page 62):	E41MLP MIL connector, EML 121 CONNEI connector
Options: (see on page 62)	• E32MLP MIL connector • Cable output 1 m

ELECTRICAL SPECIFICATIONS

Programmable parameters:	<ul style="list-style-type: none"> • Output code: Gray, Binario, BCD • Resolution: 8192 inf./rev. x 4096 rev. max <ul style="list-style-type: none"> • Parity bit: even, odd • Complementary, Zero setting, Offset <ul style="list-style-type: none"> • Latch, Tri-state • Teach-in of resolution
Power supply:	+10V +30V
Power consumption:	1,5 W
Output circuits:	NPN, PNP, Push-Pull, SSI
Output current:	40 mA max.
Output frequency:	50 kHz max.
Accuracy:	± 30% LSB
Protection:	Protected against inversion of polarity, Push-Pull protected against short-circuit
Optoelectronic life:	100.000 h min.

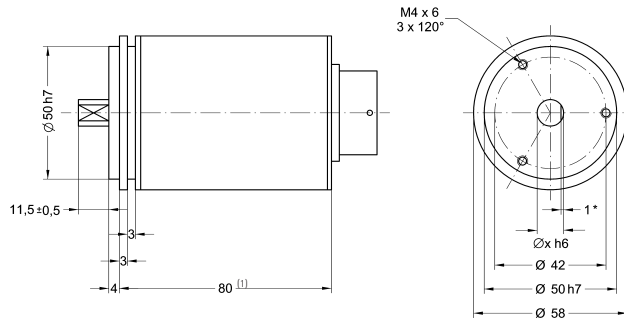
MATERIALS

Housing:	non corroding
Flange:	non corroding
Bearings:	ABEC 5
Shaft:	stainless steel, non-magnetic
Light source:	GaAl diodes

ACCESSORIES

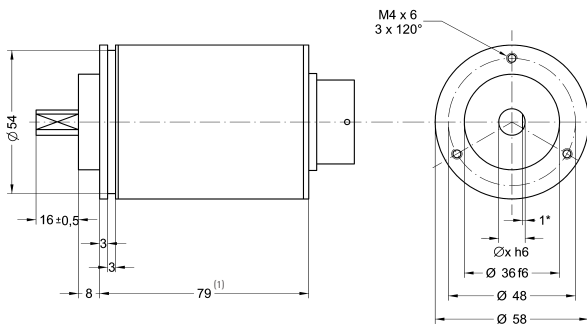
E41MLS:	41 pin MIL mating connector
E32MLS:	32 pin MIL mating connector
EPFL 121:	12 pin CONNEI mating connector
PAN/PGF:	flexible couplings
BR1:	reducing sleeves
LKM-386:	fixing clamps

Specifications subject to changes without prior notice



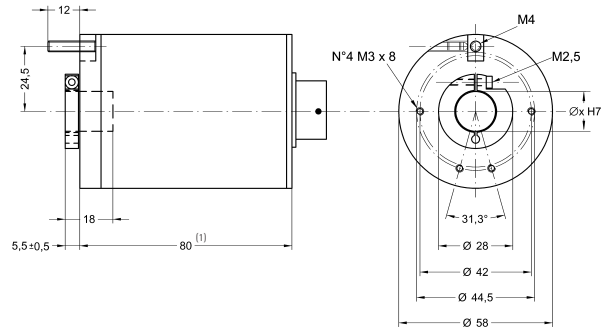
* = 0,5mm with Ø6 shaft

AM58



* = 0,5mm with Ø6 shaft

AM58S

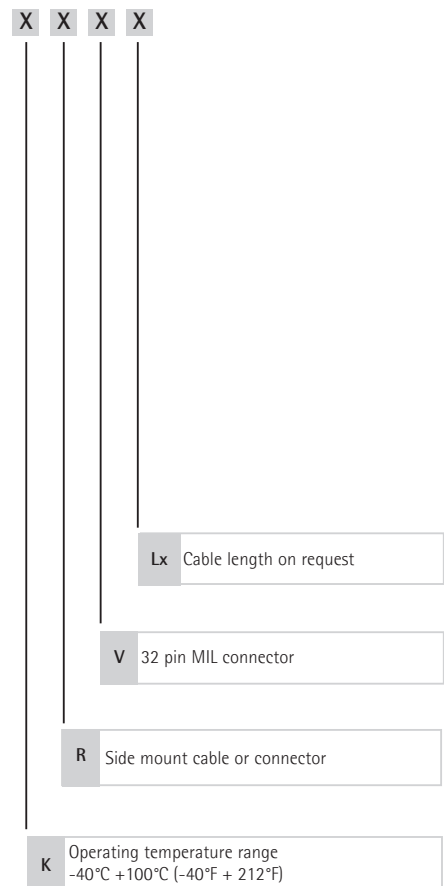
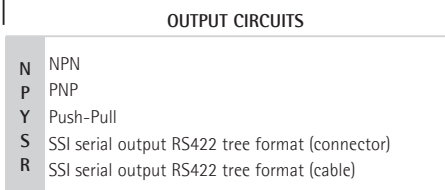
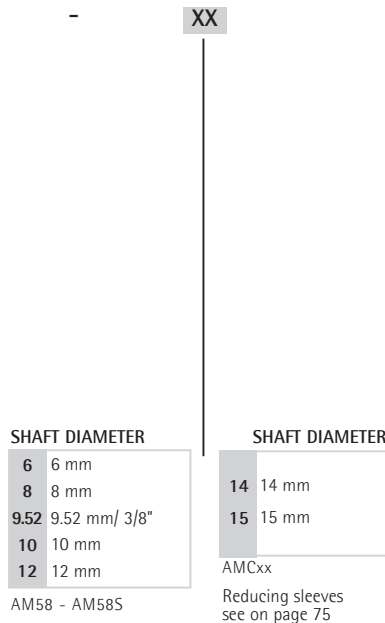
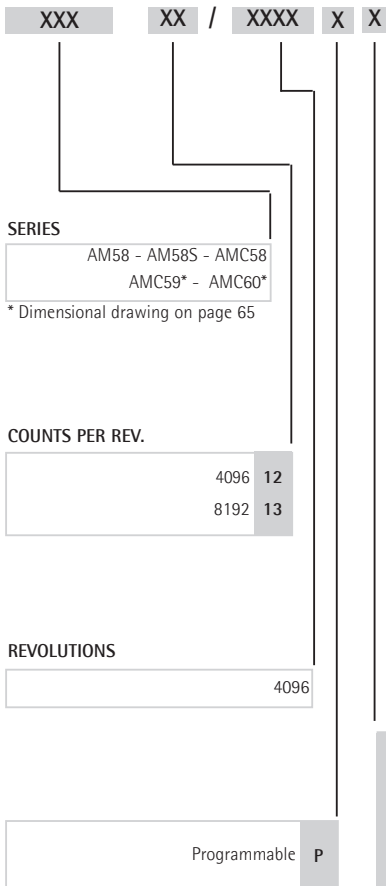


AMC58

(1) Mechanical dimensions with connector output see on page 64

ORDERING CODE

ADDITIONAL CODE (indicate only if necessary)



* see notes on pag. 69