

ROTACOD

Absolute single turn encoders

series

AS5



AS5

ENVIRONMENTAL SPECIFICATIONS

Shock:	100 g, 6 ms (acc. to MIL STD 202F)
Vibrations:	10 g, 5-2000 Hz (acc. to MIL STD 202F)
Operating temperature range:	-20°C +70°C (-4°F +158°F)
Storage temperature range:	-20°C +80°C (-4°F +176°F) (98% R.H.without condensation)
Protection:	IP65
Option:	• Operating temperature range: -40°C +100°C (-40°F +212°F)

MECHANICAL SPECIFICATIONS

Dimensions:	see drawing
Shaft:	Ø 6, 8, 10, 12 mm
Shaft loading (axial and radial):	40 N max.
Shaft rotational speed:	6000 rpm max.
Moment of inertia:	~80 gcm ²
Bearing life:	400x10 ⁶ rev. min. (10 ⁶ rev. min. with shaft loading of 20 N max.)
Weight:	~0,3 kg (10,6 oz)
Electrical connections:	16 wires cable, 1 m. (3.3 ft)
Option:	• Inline connector EDA 15P, EDB 25P, ES19MLPV

ELECTRICAL SPECIFICATIONS

STD codes	Gray, Binary
Power supply:	+10V +30V
Power consumption:	1,2 W
Output circuits:	NPN o.c., PNP o.c., Push-Pull
Output current:	40 mA max.
Output frequency:	60 kHz max.
Accuracy:	± 40% LSB
Protection:	Protected against inversion of polarity, Push-Pull protected against short-circuit
Optoelectronic life:	100.000 h min.
Options:	• LATCH output • TRI-STATE output • Electronic parity bit

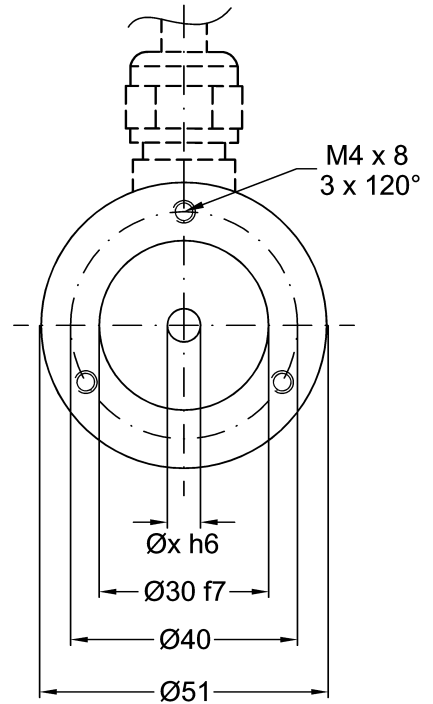
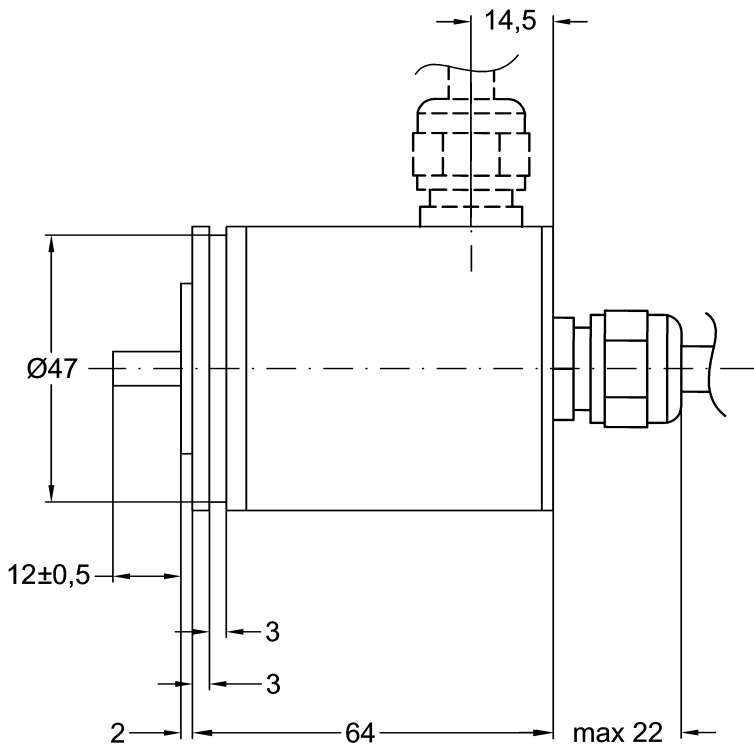
MATERIALS

Housing:	non corroding
Flange:	non corroding
Bearings:	ABEC 5
Shaft:	stainless steel, non-magnetic
Light source:	GaAl diodes

ACCESSORIES

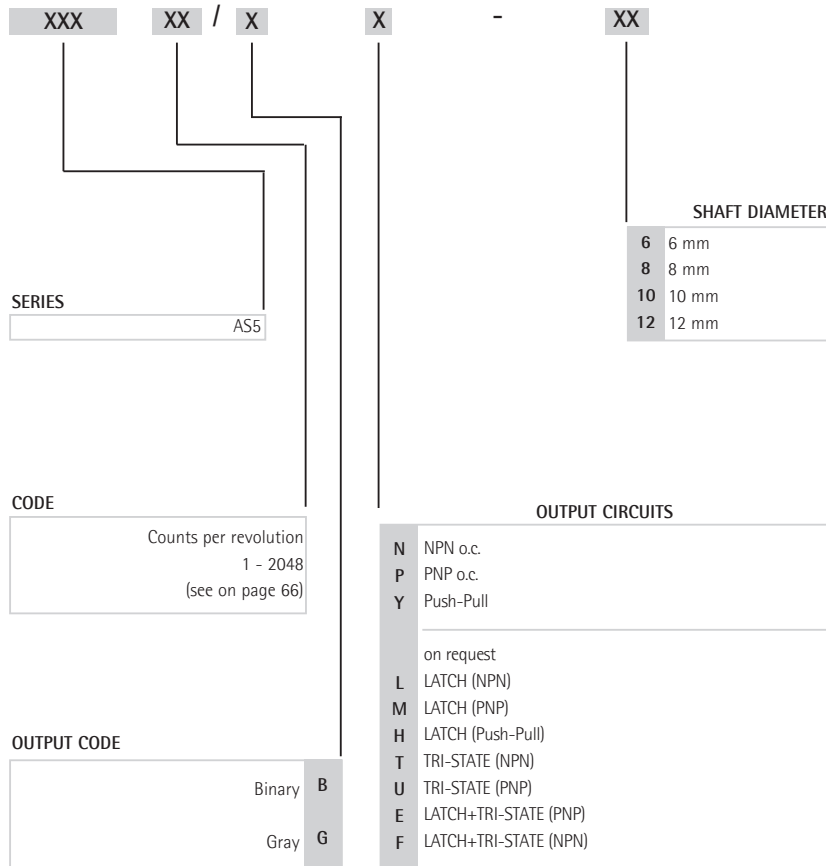
E19MLS:	19 pin MIL mating connector
EDB 25S:	25 pin DSub mating connector
EDA 15S:	15 pin DSub mating connector
PAN/PGF:	flexible couplings
LKM-386:	fixing clamps

Specifications subject to changes without prior notice



AS5

ORDERING CODE



ADDITIONAL CODE (indicate only if necessary)

