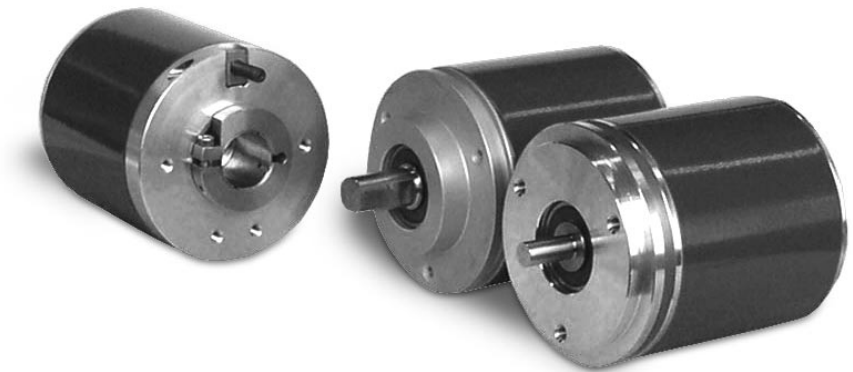


ROTACOD

Absolute single turn encoders

series

AS58 • AS58S • ASC58



AS58-AS58S-ASC58

ENVIRONMENTAL SPECIFICATIONS

Shock:	100 g, 6 ms (acc. to MIL STD 202F)
Vibrations:	10 g, 5-2000 Hz (acc. to MIL STD 202F)
Operating temperature range:	-20°C +70°C (-4°F +158°F)
Storage temperature range:	-20°C +80°C (-4°F +176°F) (98% R.H.without condensation)
Protection:	IP65
Option:	• Operating temperature range: -40°C +100°C (-40°F +212°F)

MECHANICAL SPECIFICATIONS

Dimensions:	see drawing
Shaft:	Ø 6, 8, 9.52, 10, 12, 14, 15 mm
Shaft loading (axial and radial):	40 N max.
Shaft rotational speed:	6000 rpm max.
Moment of inertia:	~95 gcm ²
Bearing life:	400x10 ⁶ rev. min. (10 ⁶ rev. min. with shaft loading of 20 N max.)
Weight:	~0,3 kg (10,6 oz)
Electrical connections (see on page 62):	E19MLP, E10MLP, E7MLP MIL connector
Options: (see on page 62)	<ul style="list-style-type: none"> • EDA 15P connector • EDB 25P connector • cable output 1 m

ELECTRICAL SPECIFICATIONS

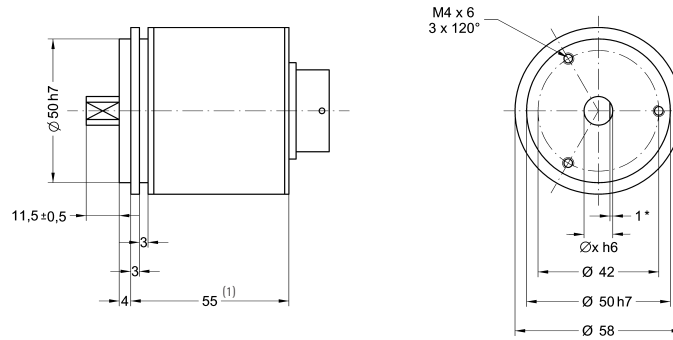
STD codes	Gray, Binary
Power supply:	+10V +30V
Power consumption:	1,2 W
Output circuits:	NPN o.c., PNP o.c., Push-Pull, SSI
Output current:	40 mA max.
Output frequency:	60 kHz max.
Accuracy:	± 30% LSB
Protection:	Protected against inversion of polarity, Push-Pull protected against short-circuit.
Optoelectronic life:	100.000 h min.
Options:	<ul style="list-style-type: none"> • LATCH output • TRI-STATE output • Electronic parity bit • Electronic zero setting

MATERIALS

Housing:	non corroding
Flange:	non corroding
Bearings:	ABEC 5
Shaft:	stainless steel, non-magnetic
Light source:	GaAl diodes

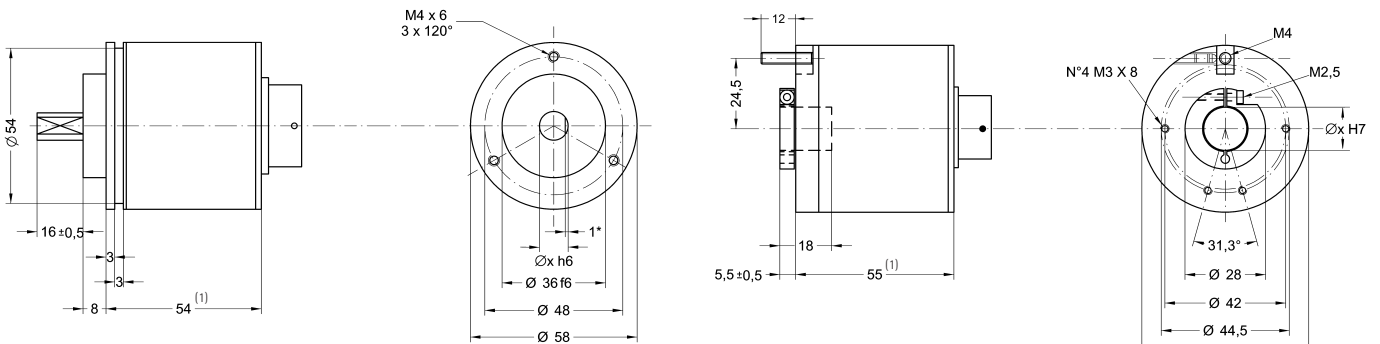
ACCESSORIES

E19MLS:	19 pin MIL mating connector
E7MLS:	7 pin MIL mating connector
E10MLS:	10 pin MIL mating connector
EDB 25S:	25 pin DSub mating connector
EDA 15S:	15 pin DSub mating connector
PAN/PGF:	flexible couplings
BR1:	reducing sleeves
LKM-386:	fixing clamps



* = 0,5mm with $\varnothing 6$ shaft

AS58



* = 0,5mm with $\varnothing 6$ shaft

AS58S

ASC58

(1) Mechanical dimensions with connector output see on page 64

ORDERING CODE

ADDITIONAL CODE (indicate only if necessary)

XXX	XX / X	X	-	XX
SERIES			SHAFT DIAMETER	SHAFT DIAMETER
AS58 - AS58S - ASC58 ASC59* - ASC60*			6 6 mm 8 8 mm 9.52 9.52 mm / 3/8" 10 10 mm 12 12 mm	14 14 mm 15 15 mm
* Dimensional drawing on page 65			AS58 - AS58S	ASCxx Reducing sleeves see on page 75
CODE		OUTPUT CIRCUITS		
Counts per revolution 1 - 131072 (see on page 66)		N NPN o.c. P PNP o.c. Y Push-Pull S SSI serial output RS422 tree format (connector) R SSI serial output RS422 tree format (cable) A SSI serial output RS422 LSB aligned (connector) B SSI serial output RS422 LSB aligned (cable) on request L LATCH (NPN) M LATCH (PNP) H LATCH (Push-Pull) T TRI-STATE (NPN) U TRI-STATE (PNP) E LATCH+TRI-STATE (PNP) F LATCH+TRI-STATE (NPN)		
OUTPUT CODE				
Binary B				
Gray G				

-	X	X	X	X	X	X
						Lx Cable length on request
						Z 15 pin DSub connector
						W 25 pin DSub connector
						R Side mount cable or connector
						K Operating temperature range: -40°C + 100°C (-40°F + 212°F)
						B Parity Bit
						E Electronic zero setting

* see notes on pag. 69