

ROTACOD

Absolutes encoders with CANopen output

series

Ax58 CB • Ax58S CB • Ax58 CB



AX58x CB



www.lika.biz

- manual
- EDS file
- datasheet

ENVIRONMENTAL SPECIFICATIONS

Shock:	100 g, 6 ms (acc. to MIL STD 202F)
Vibrations:	10 g, 5-2000Hz (acc. to MIL STD 202F)
Operating temperature range:	-20°C +70°C (-4°F +158°F)
Storage temperature range:	-20°C +80°C (-4°F +176°F) (98% R.H.without condensation)
Protection:	IP65

MECHANICAL SPECIFICATIONS

Dimensions:	see drawing
Shaft:	Ø 6, 8, 9.52, 10, 12, 14, 15 mm
Shaft loading (axial and radial):	40 N max.
Shaft rotational speed:	6000 rpm max.
Starting torque at 20°C:	< 1 Ncm (typical)
Moment of inertia:	~95 gcm ²
Bearing life:	400x10 ⁶ rev. min. (10 ⁹ rev. min. with shaft loading of 20 N max.)
Weight:	~0,5 kg (17,6 oz)

ELECTRICAL SPECIFICATIONS

STD codes:	binary
Power supply:	+10V +30V
Power consumption:	3W max.
Output frequency:	60 kHz max.
Accuracy:	±1/2 LSB
Programmable parameters:	<ul style="list-style-type: none"> • counting direction • Resolution up to 8192 counts/rev. and 4096 rev. • Preset value • Two software limit switches • Transmission mode: Polled, Cyclic, Sync
Baudrate:	programmable by Dip-switches
Device address:	programmable by Dip-switches
Bus connection:	galvanically separated by opto-couplings
Interface:	CAN transceiver (ISO/DIS 11898)
Class:	2 (CIA DSP 406)
EMC:	electro-magnetic emission (EN 50081-2) electro-magnetic compatibility (EN 50082-2)
Protection:	against inversion of polarity against short circuit
Optoelectronic life:	100.000 h min.

ELECTRICAL CONNECTIONS

CLAMP

⊥	GND
+	+10Vdc +30Vdc
-	0 Vdc
CG	CAN GND
CL	CAN Low
CH	CAN High
CG	CAN GND
CL	CAN Low
CH	CAN High

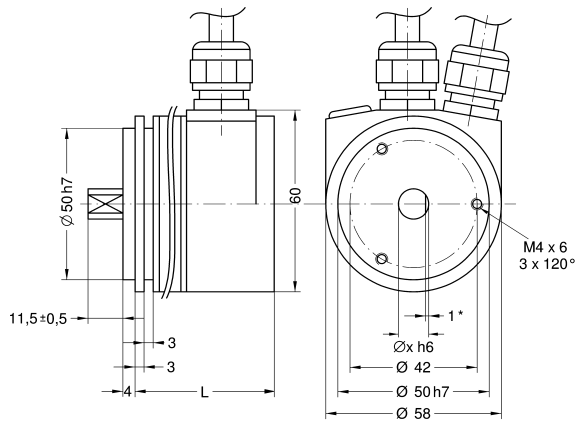
MATERIALS

Housing:	non corroding
Flange:	non corroding
Bearings:	ABEC 5
Shaft:	stainless steel, non-magnetic
Light source:	GaAl diodes

ACCESSORIES

CC-CB:	connection cap 3xPG
PAN/PGF:	flexible couplings
BR1:	reducing sleeves
LKM-386:	fixing clamps

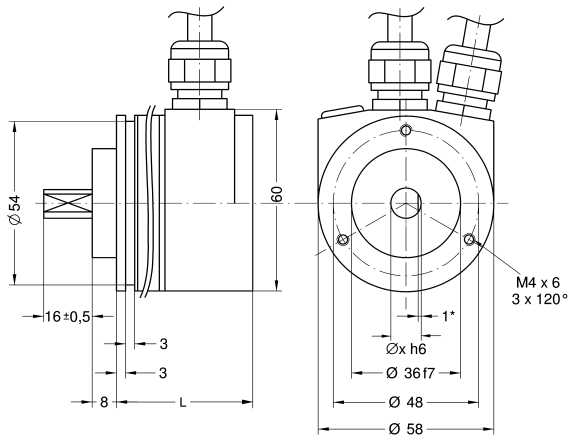
Specifications subject to changes without prior notice



* = 0,5 with Ø6 shaft

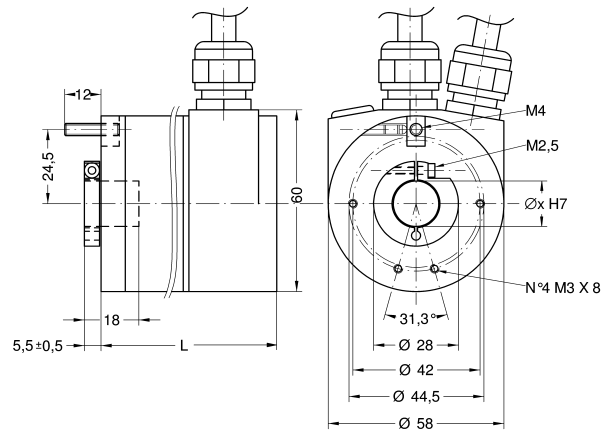
AS58/AM58

Series	L	D
AS58	83	6-10 h6 8-12 g6
AM58	98	
AS58S	82	6-8-10 h6 12 g6
AM58S	97	
ASC58	83	14-15 H7
AMC58	98	



* = 0,5mm with Ø6 shaft

AS58S/AM58S



ASC58/AMC58

ORDERING CODE SINGLE TURN VERSION

ORDERING CODE MULTI TURN VERSION

XXXX XX / CB - X

SERIES
AS58 - AS58S - ASC58
ASC59* - ASC60*

* Dimensional drawing on page 65

COUNTS PER REV.

4096	12
8192	13

SHAFT Ø

6	6 mm
8	8 mm
9.52	9.52 mm/ 3/8"
10	10 mm
12	12 mm
14	14 mm*
15	15 mm*

* only ASCxx
Reducing sleeves see page 75

Accessories (to be ordered separately)
CC-CB Connection cap

XXX XX / 4096 - CB - X

SERIES
AM58 - AM58S - AMC58
AMC59* - AMC60*

* Dimensional drawing on page 65

COUNTS PER REV.

4096	12
8192	13

SHAFT Ø

6	6 mm
8	8 mm
9.52	9.52 mm/ 3/8"
10	10 mm
12	12 mm
14	14 mm*
15	15 mm*

* only AMCxx
Reducing sleeves see page 75