

# ROTACOD

Absolute encoders with CANopen output

series

**ASx58x • AMx58xS EasyCAN**



- EasyCAN connection with cable or M12 connector
- CANopen and CANlift protocols
- Compact dimensions



Ax58x CB

## ENVIRONMENTAL SPECIFICATIONS

Shock:	100 g, 6 ms (acc. to MIL STD 202F)
Vibrations:	10 g, 5-2000Hz (acc. to MIL STD 202F)
Operating temperature range:	-20°C +70°C (-4°F +158°F)
Storage temperature range:	-20°C +80°C (-4°F +176°F) (98% R.H.without condensation)
Protection:	IP65

## MECHANICAL SPECIFICATIONS

Dimensions:	see drawing
Shaft:	Ø 6, 8, 9.52, 10, 12, 14, 15 mm
Shaft loading (axial and radial):	40 N max.
Shaft rotational speed:	6000 rpm max.
Starting torque at 20°C:	< 1 Ncm (typical)
Moment of inertia:	~95 gcm <sup>2</sup>
Bearing life:	400x10 <sup>6</sup> rev. min. (10 <sup>9</sup> rev. min. with shaft loading of 20 N max.)
Weight:	~0,5 kg (17,6 oz)
Electrical connection:	cable 2,0 m (6,56 ft)
Option	• M12 connector

## ELECTRICAL SPECIFICATIONS

STD codes:	binary
Power supply:	+10V +30V
Power consumption:	3W max.
Counting frequency:	220 kHz max.
Accuracy:	± 0,007°
Programmable parameters:	<ul style="list-style-type: none"> <li>• Baudrate</li> <li>• Device address (Node ID)                             <ul style="list-style-type: none"> <li>• Scaling function</li> </ul> </li> <li>• Counting direction                             <ul style="list-style-type: none"> <li>• Preset value</li> </ul> </li> <li>• Two software limit switches</li> <li>• Transmission mode: Cyclic, Sync</li> </ul>
Bus termination:	programmable by Dip-switches
Interface:	CAN transceiver (ISO/DIS 11898)
Class:	2 (CIA DS 406)
EMC:	electro-magnetic emission (EN 50081-2) electro-magnetic compatibility (EN 50082-2)
Protection:	against inversion of polarity against short circuit
Optoelectronic life:	100.000 h min.

## MATERIALS

Housing:	non corroding
Flange:	non corroding
Bearings:	ABEC 5
Shaft:	stainless steel, non-magnetic
Light source:	GaAl diodes



[www.lika.biz](http://www.lika.biz)

- Manual
- EDS file
- Data-sheet

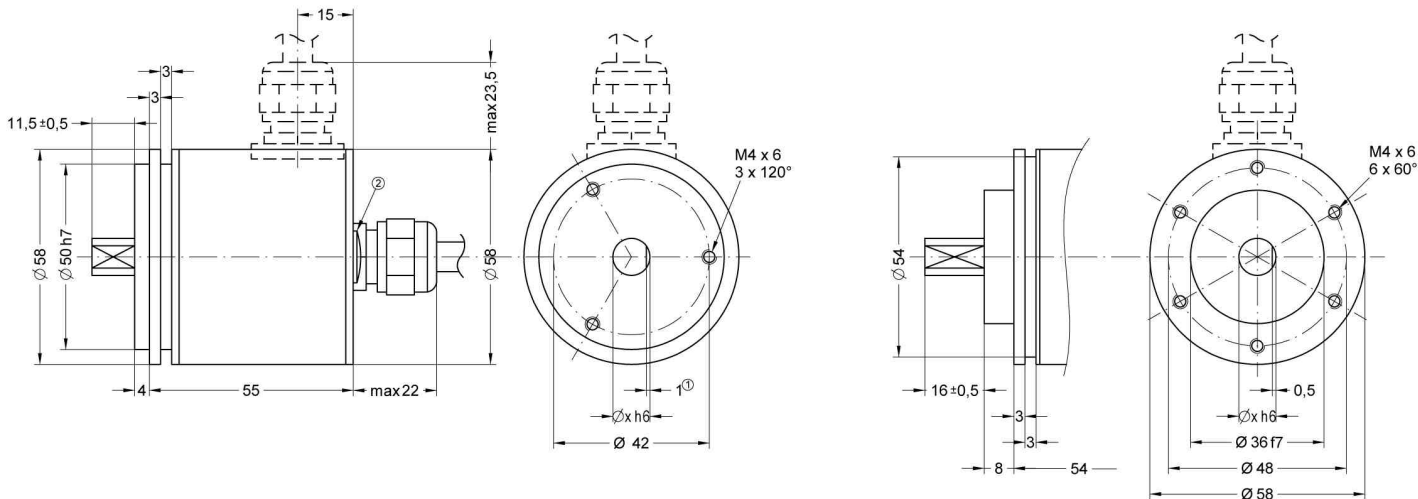
## ELECTRICAL CONNECTIONS

1	2	Function
	1	Shield
Red	2	+10Vdc +30Vdc
Black	3	0 Vdc GND
White	4	CAN High
Blue	5	CAN Low

1 = CANbus-DeviceNet cable 2x0,24mm<sup>2</sup>+ 2x0,34mm<sup>2</sup>  
2 = M12 5 pin connector

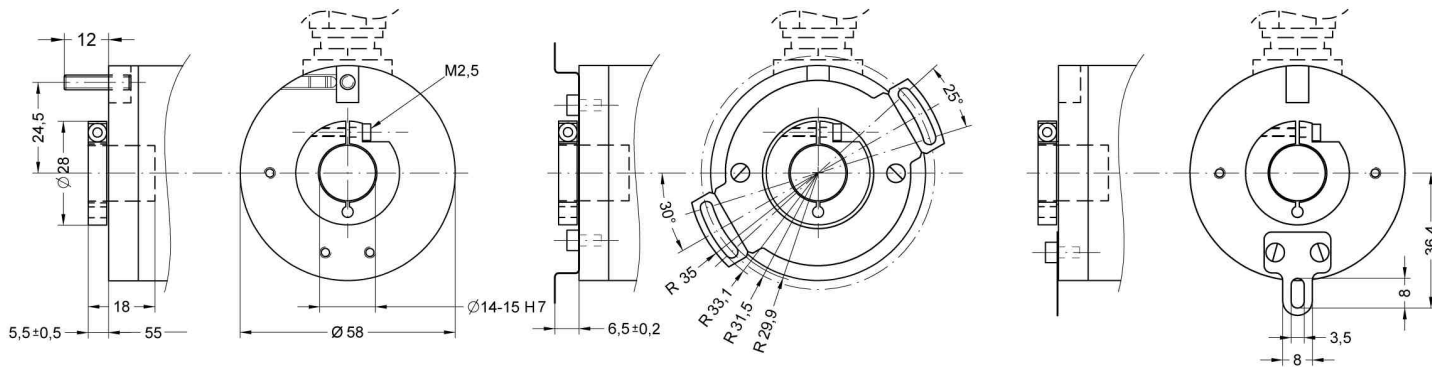
## ACCESSORIES

PAN/PGF:	flexible couplings
BR1:	reducing sleeves
LKM-386:	fixing clamps



AS58

AS58S



ASC58

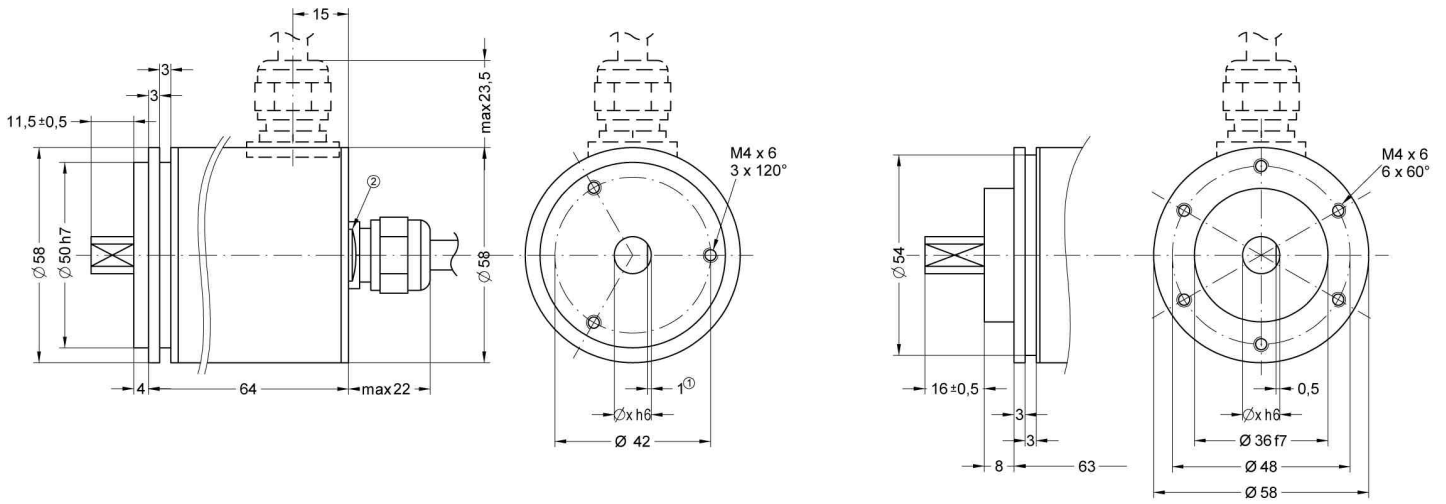
ASC59

ASC60

(1) for  $\varnothing$  6 mm shaft = 0,5 mm  
 (2) cover for Bus termination setting

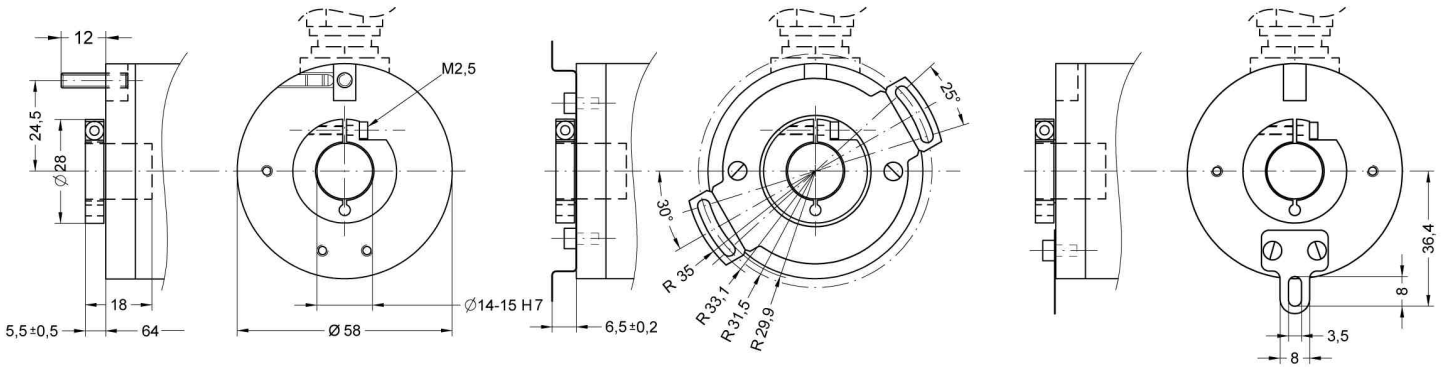
ORDERING CODE SINGLE TURN VERSION

<b>XXXXX</b>	<b>XX</b>	<b>/</b>	<b>XX</b>	<b>-</b>	<b>X</b>	<b>X</b>	<b>X</b>
<b>SERIES</b> AS58 - AS58S - ASC58 ASC59 - ASC60							
<b>COUNTS PER REV.</b>	4096	<b>12</b>					
	8192	<b>13</b>					
	65536	<b>16</b>					
	272144	<b>18</b>					
<b>INTERFACE</b>	CANopen (DSP406)	<b>CB</b>					
	CANlift (DP417)	<b>I6</b>					
							<b>SHAFT Ø</b>
					<b>6</b>	6 mm	
					<b>8</b>	8 mm	
					<b>P9</b>	9.52 mm/ 3/8"	
					<b>10</b>	10 mm	
					<b>12</b>	12 mm	
					<b>14</b>	14 mm* (*only ASCxx - Reducing sleeves see page 75)	
					<b>15</b>	15 mm*	
							<b>L2</b> Standard cable 2 meters
							<b>Lx</b> Cable length on request Ex.: L4 = 4 meters (13.2 ft) L7 = 7 meters (23.0 ft)
							<b>M</b> M12 connector
					<b>R</b>	Side mount cable or connector (no indication for axial output)	



AM58

AM58S



AMC58

AMC59

AMC60

(1) for  $\varnothing$  6 mm shaft = 0,5 mm  
 (2) cover for Bus termination setting

ORDERING CODE MULTI TURN VERSION

<b>XXXXX</b>	<b>XX/XXXXX</b>	<b>XX</b>	-	<b>X</b>	<b>X</b>	<b>X</b>
<b>SERIES</b> AM58 - AM58S - AMC58 AMC59 - AMC60						<b>L2</b> Standard cable 2 meters <b>Lx</b> Cable length on request Ex.: L4 = 4 meters (13.2 ft) L7 = 7 meters (23.0 ft) <b>M</b> M12 connector
<b>COUNTS PER REV.</b>						<b>R</b> Side mount cable or connector (no indication for axial output)
						<b>SHAFT <math>\varnothing</math></b>
<b>INTERFACE</b>						<b>6</b> 6 mm <b>8</b> 8 mm <b>P9</b> 9.52 mm/ 3/8" <b>10</b> 10 mm <b>12</b> 12 mm <b>14</b> 14 mm* <b>15</b> 15 mm* (*only AMCxx - Reducing sleeves see page 75)
	CANopen (DSP406)	<b>CB</b>				
	CANlift (DP417)	<b>I6</b>				