

# ROTAPULS

Incremental encoder

series

C51



- Small size incremental encoder with high resolution
- DC and AC motor feedback



C51



[www.lika.biz](http://www.lika.biz)  
 • Data-sheet  
 • User manual

## ENVIRONMENTAL SPECIFICATIONS

Shock:	100 g, 6 ms (acc. to MIL STD 202F)
Vibrations:	10 g, 5-2000 Hz (acc. to MIL STD 202F)
Operating temperature range:	-20°C +85°C (-4°F +185°F)
Storage temperature range:	-20°C +85°C (-4°F +185°F) (98% R.H.without condensation)
Protection:	IP54
Option:	• IP65 Protection

## MECHANICAL SPECIFICATIONS

Dimensions:	see drawing
Shaft hollow:	Ø 6, 6.35, 8, 9.52, 10 mm
Shaft loading (axial and radial):	20 N max.
Shaft rotational speed:	3000 rpm max.
Starting torque at 20°C:	≤ 1,5 Ncm (typical)
Moment of inertia:	~ 20 gcm <sup>2</sup>
Bearings life:	10 <sup>9</sup> rev. min.
Weight:	~ 0,1 kg (3,5 oz)

## ELECTRICAL SPECIFICATIONS

STD pulse rate:	6-10-12-15-25-36-40-45-50-60-80-90-900 1500-2000-2048-2500
Power supply:	+5V±5%, +10V +30V,+5V +30V
Output circuits:	Push-Pull, Line Driver, PP/LD
Output current (per channel):	40 mA max.
Output frequency:	100 kHz max.
Input current:	70 mA max.
Protection:	against inversion of polarity (except +5V version)
Optoelectronic life:	100.000 hrs min.

## MATERIALS

Flange:	anticorodal, UNI EN AW-6082
Housing:	anticorodal, UNI EN AW-6082
Bearings:	ABEC 5
Shaft:	stainless steel, non-magnetic - UNI EN 4305
Light source:	GaAl diodes

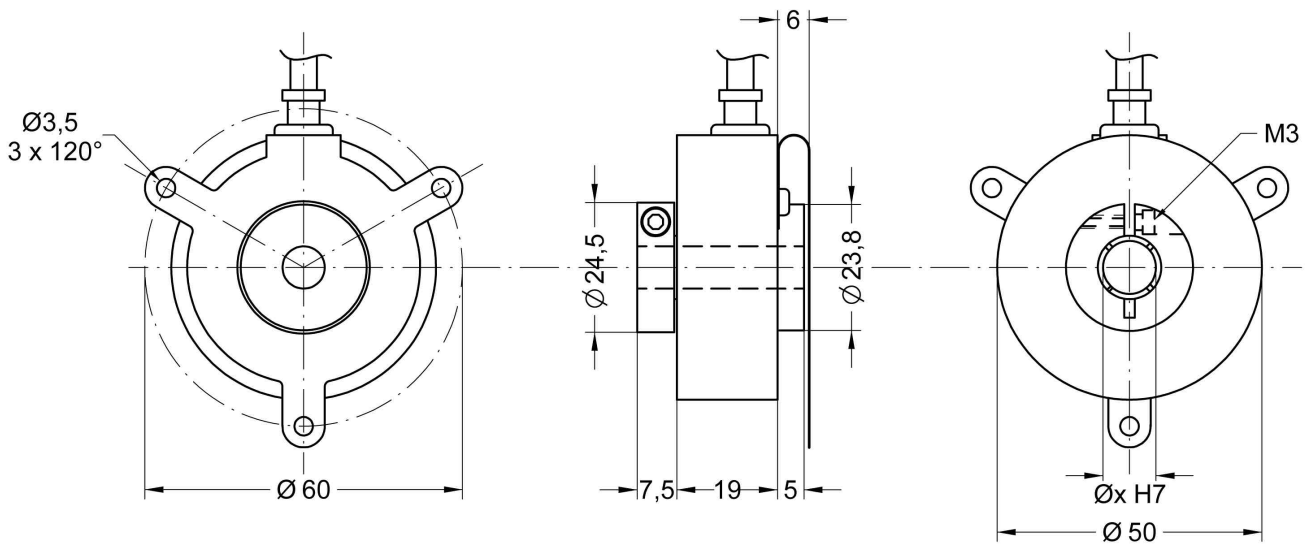
## ELECTRICAL CONNECTIONS

1	2	Function
Brown	Yellow	A
-	Blue	/A
Blue	Green	B
-	Orange	/B
White	White	0
-	Grey	/0
Red	Red	+Vdc
Black	Black	0 Vdc GND

1 = Shielded cable LIKA 5x0,22 mm<sup>2</sup>  
 2 = Shielded cable LIKA 8x0,22 mm<sup>2</sup>

## ACCESSORIES

EDE9S:	9 pin DSub mating connector
--------	-----------------------------



C51

ORDERING CODE

ADDITIONAL CODE (indicate only if necessary)

XXXX - X - XXXX

SERIES  
C51

OUTPUT CIRCUITS  
Push-Pull Y  
Line Driver AD26LS31 or eqv. L  
PP/LD universal circuit H

PULSE RATE (PPR)  
See electrical specifications

OUTPUT SIGNALS CONFIGURATION  
Bidirectional B  
Bidirectional with index pulse Z

X X X X X

SHAFT DIAMETER  
6 6 mm  
P6 6.35 mm / 1/4"  
8 8 mm  
P9 9.52 mm / 3/8"  
10 10 mm

ELECTRICAL CONNECTIONS  
N Normal output F 5 wires cable, 1m. (3.3 ft)  
C Complementary outputs U 8 wires cable, 1m. (3.3 ft)

SUPPLY VOLTAGE VS OUTPUT CIRCUIT  
+5V±5% (L output circuit) 1  
+10V÷ +30V (Y output circuit) 2  
+5V÷+30V (PP/LD universal circuit) 4

X X X /Sxxx

custom version

C Inline connector DSub 9 pin

Cable length on request  
Lx Ex.: L4 = 4 m (13.2 ft)  
L7 = 7 m (23.0 ft)

P IP65 Protection