

ROTAPULS

Feedback encoder for servo motors

series

CB59



- Feedback encoder for servomotors
- Commutation signal
- Shaft fixing from back side



CB59



- www.liko.biz
- Data-sheet
 - User manual

ENVIRONMENTAL SPECIFICATIONS

Shock:	100 g, 6 ms (acc. to MIL STD 202F)
Vibrations:	10 g, 5-2000 Hz (acc. to MIL STD 202F)
Operating temperature range:	-20°C+100°C (-4°F +212°F)
Storage temperature range:	-20°C+100°C (-4°F +212°F) (98% R.H.without condensation)
Protection:	IP40

MECHANICAL SPECIFICATIONS

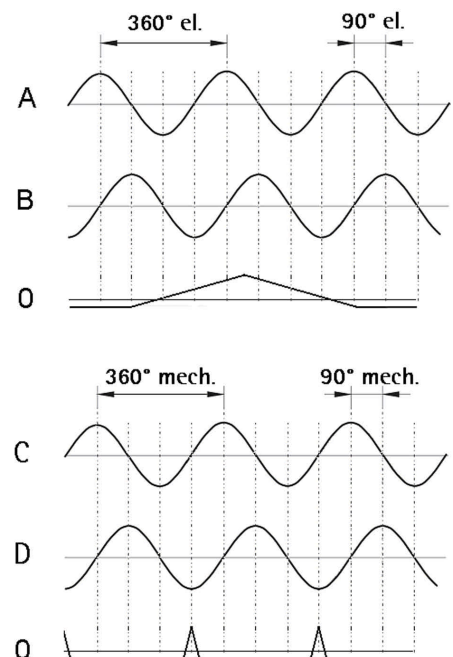
Dimensions:	see drawing
Shaft hollow:	Ø 12.7, 15 mm
Shaft loading (axial and radial):	40 N max.
Shaft rotational speed:	12000 rpm max.
Starting torque at 20°C:	~ 0,8 Ncm (typical)
Moment of inertia:	~30 gcm ²
Bearings life:	2 x 10 ⁹ rev. min.
Weight:	~ 0,4 kg (14,1 oz)
Electrical connections:	PCB connector (connection cable to be ordered separately)

ELECTRICAL SPECIFICATIONS

STD pulse rate (other PPR upon request):	2048 + Z-track
Power supply:	+5V±5%
Output circuits:	1Vpp
Output current (per channel):	40 mA max.
Output frequency:	300 kHz max.
Input current:	130 mA max.
Optoelectronic life:	100.000 hrs min.

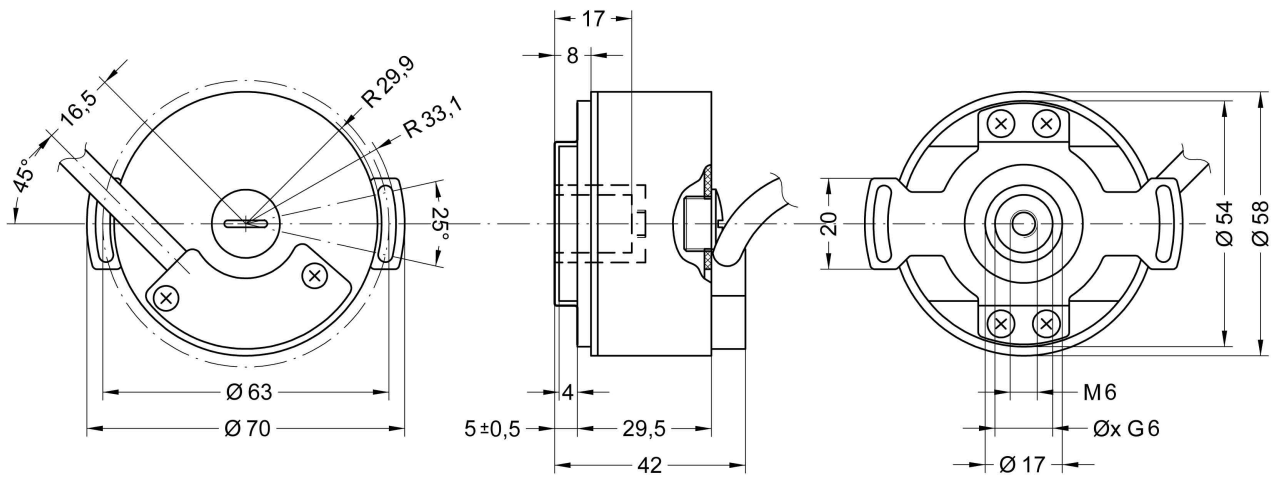
MATERIALS

Flange:	aluminium
Housing:	aluminium
Bearings:	ABEC 5
Shaft:	stainless steel, non-magnetic - UNI EN 4305
Light source:	GaAl diodes



ACCESSORIES

EC-CB59-1	Connection cable 1 m
EC-CB59-4	Connection cable 4 m
EC-CB59-7	Connection cable 7 m



CB59

ORDERING CODE

