

ROTAPULS

Incremental encoders

series

CK46



CK46

ENVIRONMENTAL SPECIFICATIONS

Shock:	100 g, 6 ms (acc. to MIL STD 202F)
Vibrations:	10 g, 5-2000 Hz (acc. to MIL STD 202F)
Operating temperature range:	-20°C +70°C (-4°F +158°F)
Storage temperature range:	-20°C +80°C (-4°F +176°F) (98% R.H.without condensation)
Protection:	IP64
Options:	<ul style="list-style-type: none">• Operating temperature range: -40°C +100°C (-40°F +212°F)• IP65 Protection (3000 rpm max, torque 1 Ncm)

MECHANICAL SPECIFICATIONS

Dimensions:	see drawing
Shaft hollow:	Ø 6, 6.35 mm
Shaft loading (axial and radial):	20 N max.
Shaft rotational speed:	6000 rpm max.
Starting torque at 20°C:	≤ 0,5 Ncm (typical)
Moment of inertia:	~20 gcm ²
Bearings life:	10 ⁹ rev. min.
Weight:	~ 0,2 kg (7,0 oz)

ELECTRICAL SPECIFICATIONS

STD pulse rate (other PPR upon request):	1-5-8-10-15-20-25-30-32-40-50-60-64-72-84-90 100-125-127-150-176-180-200-250-300-314-320 360-400-500-540-600-625-635-720-900-1000 1021-1024-1080-1200-1250-1440-1500-1600 2000-2500-3000-3600
Power supply:	+5V±5%, +10V +30V,+5V +30V
Output circuits:	Push-Pull, Line Driver, PP/LD
Output current (per channel):	40 mA max.
Output frequency:	60 kHz max.
Input current:	50 mA max.
Protection:	against inversion of polarity (except +5V version) outputs are protected against short-circuit (except Line Driver version)
Optoelectronic life:	100.000 hrs min.

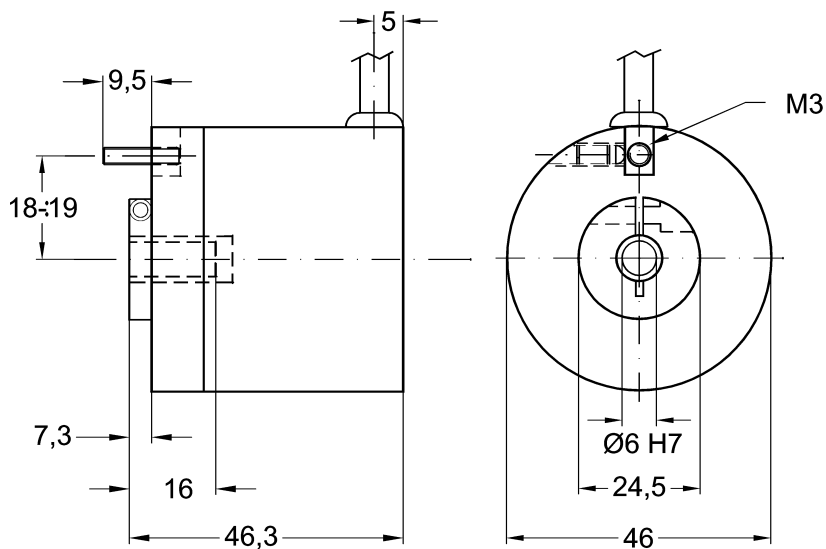
MATERIALS

Flange:	non corroding
Housing:	non corroding
Bearings:	ABEC 5
Shaft:	stainless steel, non-magnetic
Light source:	GaAl diodes

ACCESSORIES

EDE9S:	9 pin DSub mating connector
--------	-----------------------------

Specifications subject to changes without prior notice



CK46

ORDERING CODE

ADDITIONAL CODE (indicate only if necessary)

XXXX - X - XXXX X

SERIES

OUTPUT CIRCUITS
 Push-Pull Y
 Line Driver AD26LS31 or eqv. L
 PP/LD universal circuit H

PULSE RATE (PPR)

OUTPUT SIGNALS CONFIGURATION
 Bidirectional B
 Bidirectional with index pulse Z

X X X X

SHAFT DIAMETER
 6 6 mm
 6.35 6.35 mm / 1/4"

ELECTRICAL CONNECTIONS

N	Normal output	F	5 wires cable, 1m. (3.3 ft)
C	Complementary outputs	U	8 wires cable, 1m. (3.3 ft)

 see on page 59-60

SUPPLY VOLTAGE VS OUTPUT CIRCUIT

+5V±5% (L output circuit)	1
+10V÷ +30V (Y output circuit)	2
+5V÷ +30V (PP/LD universal circuit)	4

X X X X

C Inline connector DSub 9 pin

Lx Cable length on request
 Ex.: L4 = 4 m (13.2 ft)
 L7 = 7 m (23.0 ft)

K Operating temperature range:
 -40°C + 100°C (-40°F + 212°F)

P IP65 Protection