

ROTACOD

Absolute single turn encoders

series

HS58 • HS58S • HSC58



- For motor feedback applications
- Resolution up to 18 bit
- Additional incremental track, 2048 PPR sin/cos



HSx58x



www.lika.biz
 • Data-sheet
 • User manual

ENVIRONMENTAL SPECIFICATIONS

Shock:	100 g, 6 ms (acc. to MIL STD 202F)
Vibrations:	10 g, 5-2000 Hz (acc. to MIL STD 202F)
Operating temperature range:	-25°C +85°C (-13°F +185°F)
Storage temperature range:	-40°C +100°C (-40°F +212°F) (98% R.H.without condensation)
Protection:	IP65

MECHANICAL SPECIFICATIONS

Dimensions:	see drawing
Shaft:	Ø 6, 8, 9.52, 10, 12, 14, 15 mm
Shaft loading (axial and radial):	40 N max.
Shaft rotational speed:	6000 rpm max.
Moment of inertia:	~95 gcm ²
Bearing life:	400x10 ⁶ rev. min. (10 ⁶ rev. min. with shaft loading of 20 N max.)
Weight:	~0,3 kg (10,6 oz)
Electrical connections:	EML121H connector
Options:	• cable output 1 m

ELECTRICAL SPECIFICATIONS

Resolution:	SSI: 18 bit max. BiSS: 18 bit sin/cos: 2048 PPR
STD codes:	Gray, Binary
Power supply:	+10V +30V
Power consumption:	0,9 W
Output circuits:	SSI, SSI + 1Vpp, BiSS (B-mode and C-mode) + 1Vpp
Output current:	40 mA max.
Counting frequency:	220 kHz max.
Accuracy:	± 0,007°
Protection:	Protected against inversion of polarity, Push-Pull also protected against short-circuit
Optoelectronic life:	100.000 h min.
Functions:	• Counting direction (complementary) • Electronic zero setting

MATERIALS

Housing:	non corroding, UNI EN AW-6082
Flange:	non corroding, UNI EN AW-6082
Bearings:	ABEC 5
Shaft:	stainless steel, non-magnetic - UNI EN 4305
Light source:	GaAl diodes

ELECTRICAL CONNECTIONS

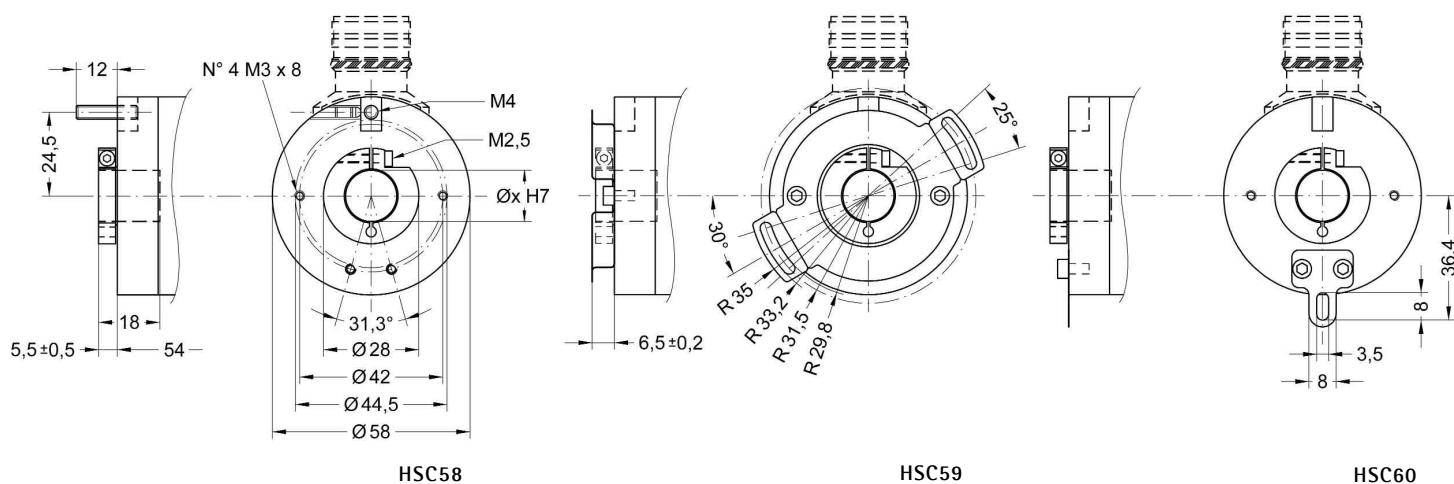
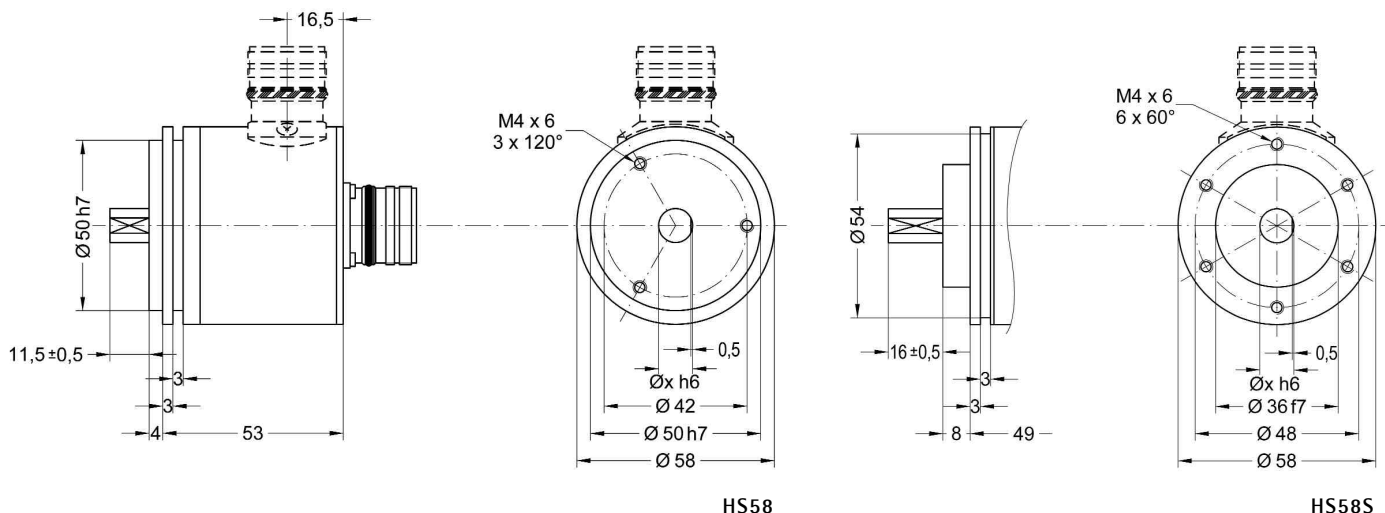
1	2	Function
1	Yellow	Clock -
2	Violet	Clock +
3	Grey	Data +
4	Pink	Data -
5	Green	A (cos+)
6	Brown	/A (cos-)
7	Red	B (sin+)
8	Blue	Complementary
9	White	Zero setting
10	Black	/B (sin-)
11	Brown/Green	+Vdc
12	White/Green	0 Vdc

1 = EML121H M23 12 pin connector

2 = Cable Lika 4x2x0,14 mm²+ 4x0,25 mm²

ACCESSORIES

EPFL121H:	M23 12 pin connector
PAN/PGF:	flexible couplings
BR1:	reducing sleeves
EC-CR12F-S28-T12-xx:	pre-assembled cable xx m
LKM-386:	fixing clamps



ORDERING CODE

ADDITIONAL CODE (indicate only if necessary)

XXXXX	XX	XX	-	XX	-	X	XX	/Sxxx
SERIES				SHAFT DIAMETER				custom version
HS58 - HS58S - HSC58 HSC59 - HSC60				6 mm 6 8 mm 8 9.52 mm /3/8" P9 10 mm 10 12 mm 12	14 14 mm 15 15 mm HSCxx			Cable output and length Ex. L4 = 4 m (13.2 ft) L7 = 7 m (23.0 ft)
RESOLUTION Counts x rev.				OUTPUT CIRCUITS				
8192 cpr 13 65536 cpr 16 262144 cpr 18				GV SSI right aligned, Gray code + 2048 PPR sin/cos BV SSI right aligned, Binary code + 2048 PPR sin/cos GA SSI right aligned, Gray code BA SSI right aligned, Binary code I7 BiSS C-mode + 2048 PPR sin/cos (only 262144 cpr) I8 BiSS B-mode + 2048 PPR sin/cos (only 262144 cpr)				R Side mount connector or cable