

ROTACOD

Absolute encoders with Fieldbus interface

series

Hx58 FB • Hx58S FB • HxC58 FB

- High resolution Fieldbus encoders
- One encoder fits all Fieldbusses
- Cable or connector output



Hx58x FB



www.lika.biz

- Data-sheet
- User Manual
- Software

ENVIRONMENTAL SPECIFICATIONS

Shock:	100 g, 6 ms (acc. to MIL STD 202F)
Vibrations:	10 g, 5-2000Hz (acc. to MIL STD 202F)
Operating temperature range:	-25°C +85°C (-13°F +185°F)
Storage temperature range:	-40°C +100°C (-40°F +212°F) (98% R.H.without condensation)
Protection:	IP65 (with connection cap assembled)

MECHANICAL SPECIFICATIONS

Dimensions:	see drawing
Shaft:	Ø 6, 8, 9.52, 10, 12, 14, 15 mm
Shaft loading (axial and radial):	40 N max.
Shaft rotational speed:	6000 rpm max.
Moment of inertia:	~95 gcm ²
Bearing life:	400x10 ⁶ rev. min. (10 ⁹ rev. min. with shaft loading of 20 N max.)
Weight:	~0,5 kg (17,6 oz)

ELECTRICAL SPECIFICATIONS

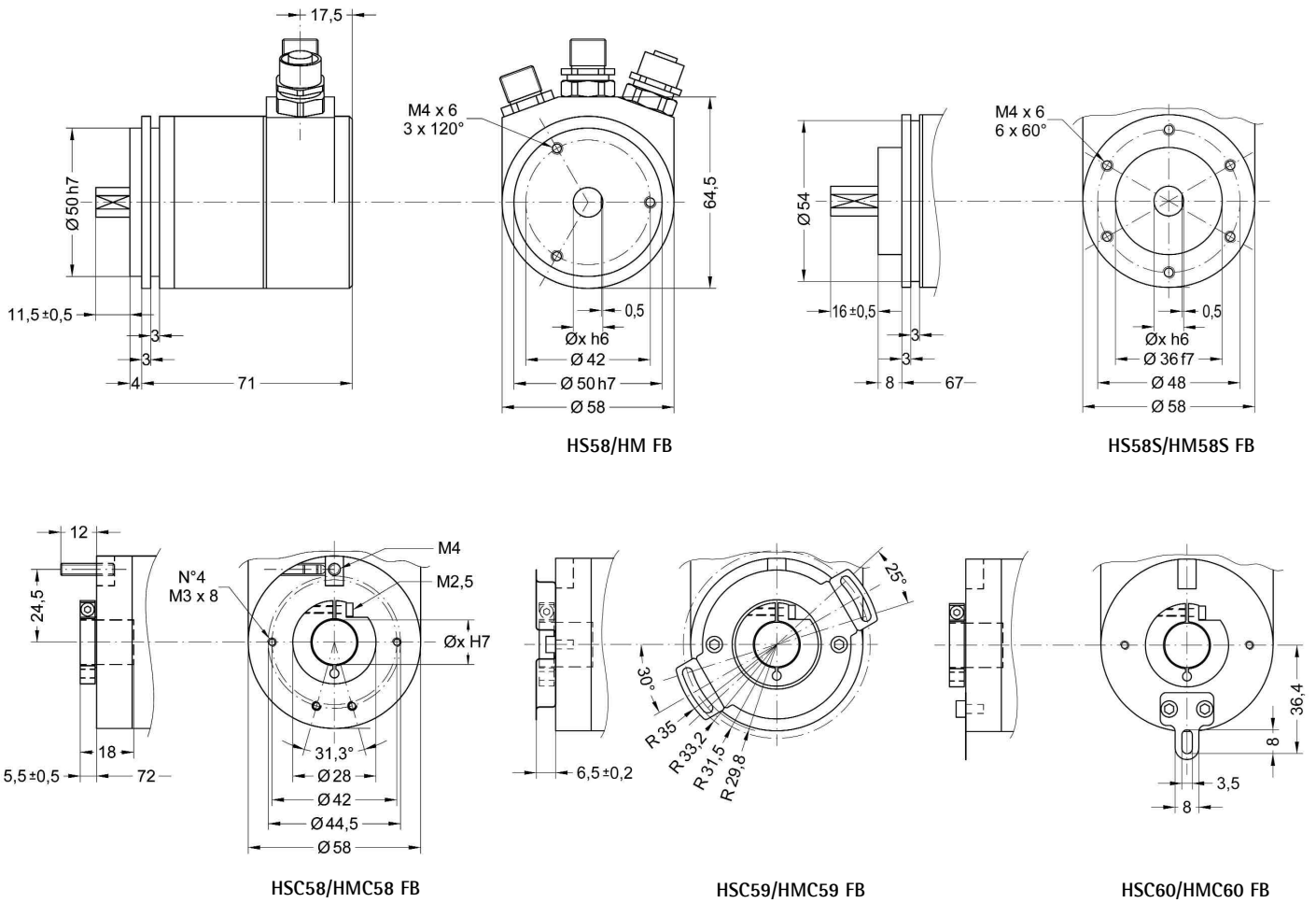
Power supply:	+10V +30V
Power consumption:	2,2 W max.
Counting frequency:	150 kHz max.
Resolution:	HS version: 18 bit (262144 cpr) HM version: 16 + 14 bit (65536 cpr x 16384 turns)
Accuracy:	0,007°
Programmable parameters:	see user manual for each Fieldbus
Baudrate:	programmable by Dip-switches
Device address:	programmable by Dip-switches
Interface:	Profibus-DP V1 CANopen DS301, DS406 CANlift DS301, DSP417 DeviceNet
EMC:	electro-magnetic emission (EN 50081-2) electro-magnetic compatibility (EN 50082-2)
Protection:	against inversion of polarity against short circuit
Optoelectronic life:	100.000 h min.

MATERIALS

Housing:	non corroding, UNI EN AW-6082
Flange:	non corroding, UNI EN AW-6082
Bearings:	ABEC 5
Shaft:	stainless steel, non-magnetic, UNI EN 4305
Light source:	GaAl diodes

ACCESSORIES

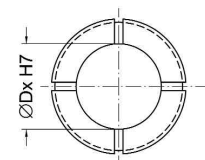
PAN/PGF:	flexible couplings
BR1:	reducing sleeves
LKM-386:	fixing clamps



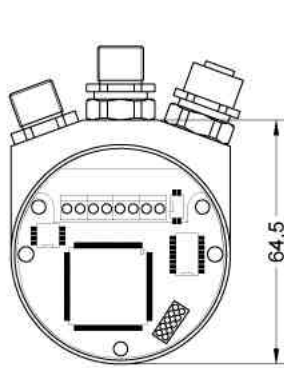
ORDERING CODE SINGLE TURN AND MULTI TURN VERSIONS

XXXXX	XX / FB -	XX																						
SERIES		SHAFT DIAMETER																						
<table border="1"> <tr> <td>HS58 - HS58S - HSC58</td> <td></td> </tr> <tr> <td>HSC59 - HSC60</td> <td></td> </tr> <tr> <td>HM58 - HM58S - HMC58</td> <td></td> </tr> <tr> <td>HMC59 - HMC60</td> <td></td> </tr> </table>	HS58 - HS58S - HSC58		HSC59 - HSC60		HM58 - HM58S - HMC58		HMC59 - HMC60			<table border="1"> <tr> <td>6</td> <td>6 mm</td> </tr> <tr> <td>8</td> <td>8 mm</td> </tr> <tr> <td>P9</td> <td>9.52 mm / 3/8"</td> </tr> <tr> <td>10</td> <td>10 mm</td> </tr> <tr> <td>12</td> <td>12 mm</td> </tr> <tr> <td>14</td> <td>14 mm*</td> </tr> <tr> <td>15</td> <td>15 mm*</td> </tr> </table> <p>*only HSCxx, HMCxx</p>	6	6 mm	8	8 mm	P9	9.52 mm / 3/8"	10	10 mm	12	12 mm	14	14 mm*	15	15 mm*
HS58 - HS58S - HSC58																								
HSC59 - HSC60																								
HM58 - HM58S - HMC58																								
HMC59 - HMC60																								
6	6 mm																							
8	8 mm																							
P9	9.52 mm / 3/8"																							
10	10 mm																							
12	12 mm																							
14	14 mm*																							
15	15 mm*																							
RESOLUTION																								
<table border="1"> <tr> <td>262144 cpr (HS version)</td> <td style="text-align: center;">18</td> </tr> <tr> <td>65536 cpr x 16384 rev. (HM version)</td> <td style="text-align: center;">16/16384</td> </tr> </table>	262144 cpr (HS version)	18	65536 cpr x 16384 rev. (HM version)	16/16384																				
262144 cpr (HS version)	18																							
65536 cpr x 16384 rev. (HM version)	16/16384																							

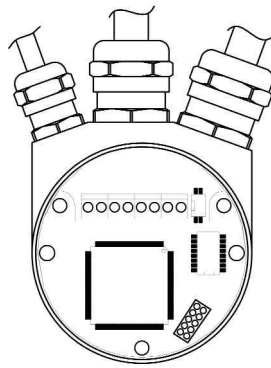
BR1-xx



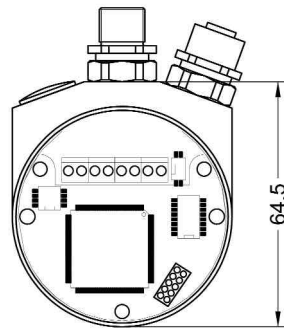
Reducing sleeve Ø 15 mm to: Ø 6, 8, 9.52, 10, 11, 12 mm



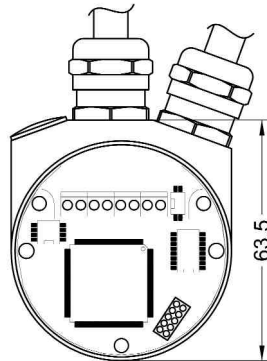
BC-PB-C



BC-PB



BC-CB-C
BC-FDV-C



BC-CB
BC-FDV

PROFIBUS ACCESSORIES

CC-PB-CON:	set of mating connectors
EC-M12MP-LK-PB-5:	pre-assembled cable 5 m, male
EC-M12FP-LK-PB-5:	pre-assembled cable 5 m, female
EC-M12PP-LK-PB-5:	pre-assembled cable 5 m, supply
EC-M12MP-LK-PB-10:	pre-assembled cable 10 m, male
EC-M12FP-LK-PB-10:	pre-assembled cable 10 m, female
EC-M12PP-LK-PB-10:	pre-assembled cable 10 m, supply

CAN, DEVICENET ACCESSORIES

CC-CB-CON:	set of mating connectors
EC-M12MC-LK-CB-5:	pre-assembled cable 5 m, male
EC-M12FC-LK-CB-5:	pre-assembled cable 5 m, female
EC-M12MC-LK-CB-10:	pre-assembled cable 10 m, male
EC-M12FC-LK-CB-10:	pre-assembled cable 10 m, female

ORDERING CODE FOR FIELDBUS CONNECTION CAP

