

ROTAPULS

Incremental encoders

series

I105



I105

ENVIRONMENTAL SPECIFICATIONS

Shock:	100 g, 6 ms (acc. to MIL STD 202F)
Vibrations:	10 g, 5-2000 Hz (acc. to MIL STD 202F)
Operating temperature range:	-20°C+70°C (-4°F +158°F)
Storage temperature range:	-20°C+80°C (-4°F +176°F)
	(98% R.H.without condensation)
Protection:	IP64
Options:	<ul style="list-style-type: none"> • Operating temperature range: -40°C +100°C (-40°F +212°F) • IP65 protection

MECHANICAL SPECIFICATIONS

Dimensions:	see drawing
Shaft:	Ø 10 mm
Shaft loading (axial and radial):	40 N max.
Shaft rotational speed:	6000 rpm max.
Starting torque at 20°C:	≤ 1 Ncm (typical)
Moment of inertia:	~25 gcm ²
Bearings life:	10 ⁹ rev. min.
Weight:	~ 0,9 kg (31,7 oz)

ELECTRICAL SPECIFICATIONS

STD pulse rate: (other PPR upon request)	16384-18000
Power supply:	+5V±5%, +10V +30V,+5V +30V
Output circuits:	Push-Pull, Line Driver, PP/LD
Output current (per channel):	40 mA max.
Output frequency:	100 kHz max.
Input current:	100 mA max.
Protection:	against inversion of polarity (except +5V version) outputs are protected against short-circuit (except Line Driver version)
Optoelectronic life:	100.000 hrs min.
Option:	• Output frequency up to 300 kHz max.

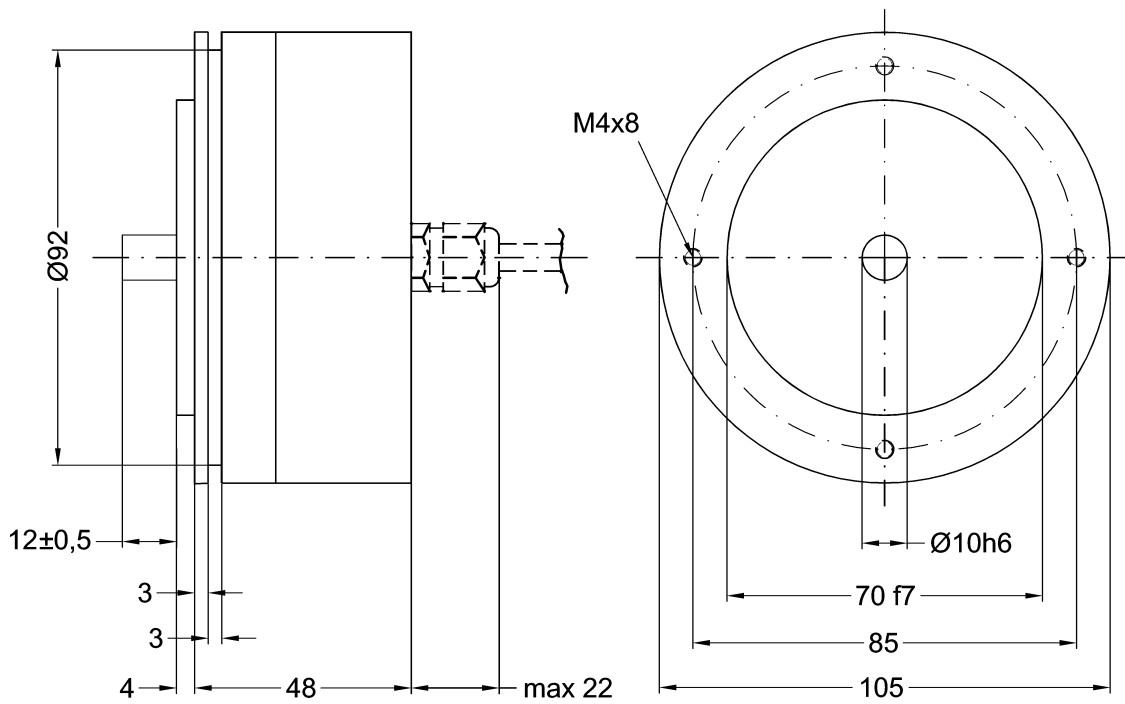
MATERIALS

Flange:	non corroding
Housing:	non corroding
Bearings:	ABEC 5
Shaft:	stainless steel, non-magnetic
Light source:	GaAl diodes

ACCESSORIES

EPFL 121:	12 pin CONNE1 mating connector
PAN/PGF:	flexible couplings
LKM-386:	fixing clamps

Specifications subject to changes without prior notice



I105

ORDERING CODE

ADDITIONAL CODE (indicate only if necessary)

