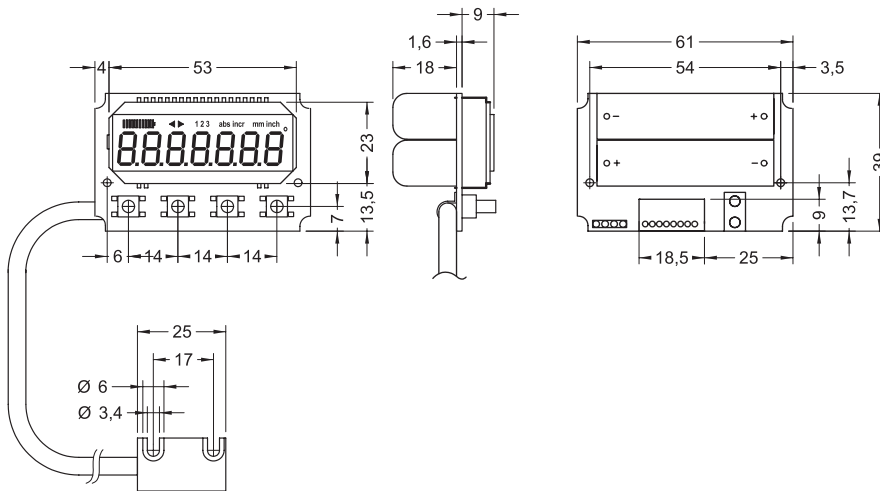


series

LD111



LD111

- Quasi-absolute battery powered display
- Ultracompact OEM version
- Connected sensor
- Mm-inch-degree mode
- Resolution up to 0.01 mm

PARAMETERS

3 Offset values, preset, resolution, mm/inch, angular display mode

ENVIRONMENTAL SPECIFICATIONS

Operating temperature range: 0°C ÷ +50°C (+32°F, +122°F)
 Storage temperature range: -20°C ÷ +80°C (-4°F, +176°F)
 Protection: IP00

MECHANICAL SPECIFICATIONS

Dimensions: 61 x 39 x 25 mm
 Cable length: 5 m max.
 Display: LCD (-999999 ÷ 999999)

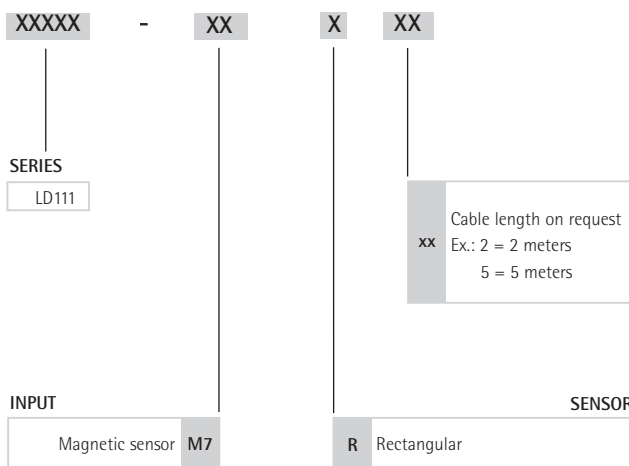
ELECTRICAL SPECIFICATIONS

Power supply: 2 battery 1,5 V
 Consumption: ~ 220 µA
 Measurement speed: < 5 m/s max.

ACCESSORIES

MT25: Magnetic tape

ORDERING CODE



www.lika.biz
 • Data-sheet
 • Manual