

POSICONTROL

Single axis LED position display

lika

series

MC111



- Position display for encoders
- Encoder or potentiometer input
- Low-cost version



MC111



www.lika.biz
• Data-sheet
• User manual

FUNCTIONS

Offset, preset, scaling, edge evaluation, decimal point, keyboard function, reset and set logic, absolute/relative mode, counting direction, actual position memory, logic of inputs/outputs, security code, reference pulse

ENVIRONMENTAL SPECIFICATIONS

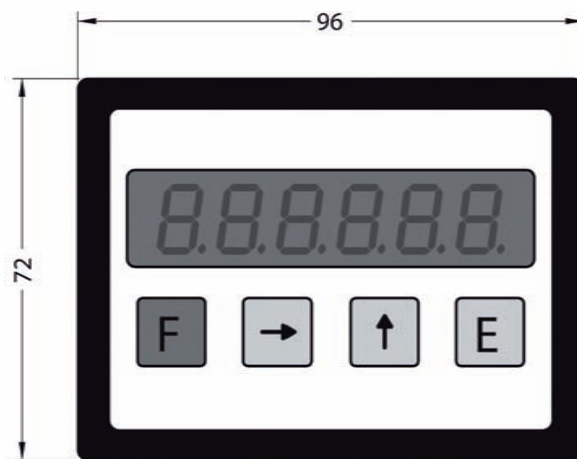
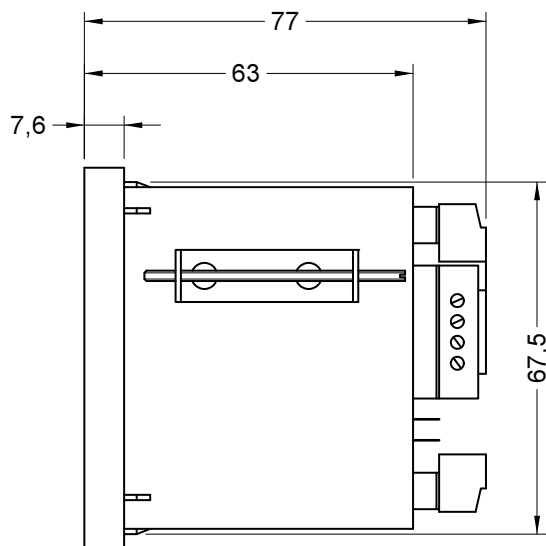
Operating temperature range: 0°C +50°C (+32°F, +122°F)
Storage temperature range: -20°C +80°C (-4°F, +176°F)
Protection: IP42 front, IP20 back

MECHANICAL SPECIFICATIONS

Dimensions: 96 x 72 x 60 mm³
Cut out: 94 x 66 mm²
Display: 6 digit x 14 mm (-99999 ÷ 999999)

ELECTRICAL SPECIFICATIONS

Power supply: 24Vdc +10%
Power supply for encoder: 24 Vdc
Power supply for potentiometer: 5 Vdc
Consumption: 80 mA (excl. encoders)
Counting frequency: 25 kHz
Input circuits: 1 x AB, 24 Vdc or 2 x 0-5 V analogue, 12 bit
Function input for reset, preset
Output circuits: 2 digital output (option)



MC111

ORDERING CODE

OPTIONS (indicate only if necessary)

