

POSICONTROL

Single axis LED position display

lika

series

MC150



- Programmable position display for encoders
- Counting frequency up to 1 MHz
- Large range of power supplies



MC150



www.lika.biz
• Data sheet
• User manual

FUNCTIONS

Set value, Power down memory, Scaling factor, Edge evaluation, Counting direction, Decimal point, Key functions, Reset and Set logic, Absolute/relative mode, Offset logic, Offset value, In- and Output logic, Security code, Reference pulse

ENVIRONMENTAL SPECIFICATIONS

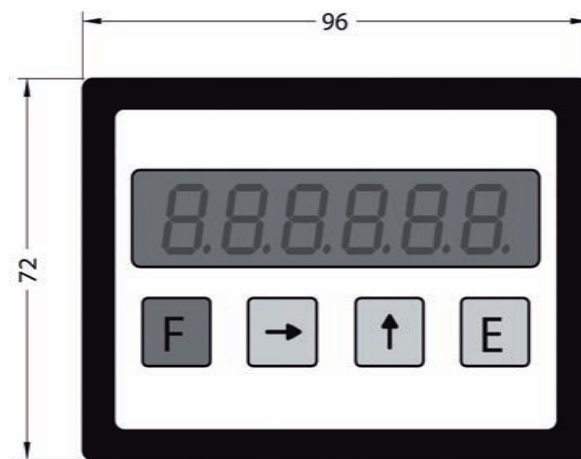
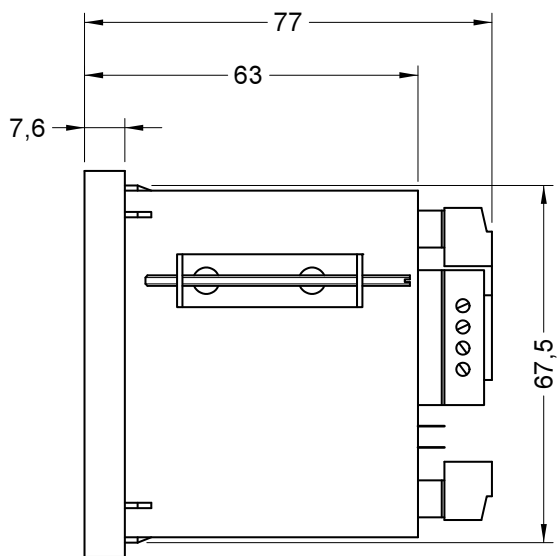
Operating temperature range: 0°C +50°C (+32°F, +122°F)
Storage temperature range: -20°C +65°C (-4°F, +149°F)
Protection: IP42 front, IP20 back

MECHANICAL SPECIFICATIONS

Dimensions: 96 x 72 x 77 mm³
Cut out: 94 x 66 mm²
Display: 6 digit x 14 mm (-999999 ÷ 999999)

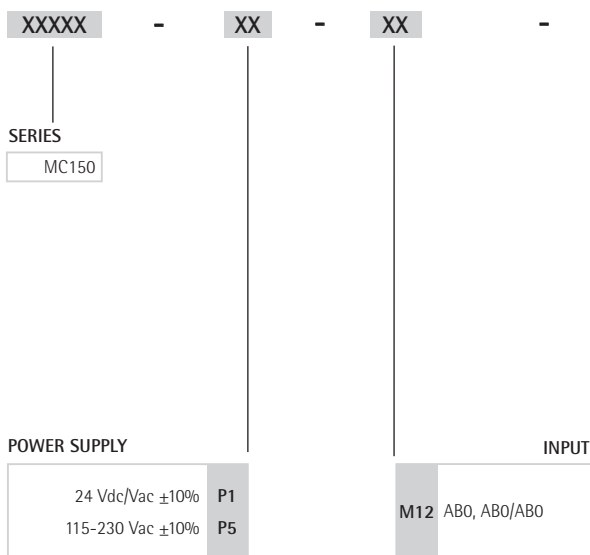
ELECTRICAL SPECIFICATIONS

Power supply: 24 Vdc/Vac, 115-230 Vac
Consumption: 150 mA (excl. encoders)
Counting frequency: 1 MHz max.
Input circuits: ABO, /ABO, Push-Pull, Line Driver
Function input for reset, preset, relative/absolute mode
Power supply for encoder: 5 Vdc/24 Vdc (12Vdc with P5)
Output circuits: 2 digital outputs 24V, 600 mA, PNP (optional)
2 relays (optional)
RS232 interface (optional)



MC150

ORDERING CODE



OPTIONS (indicate only if necessary)

