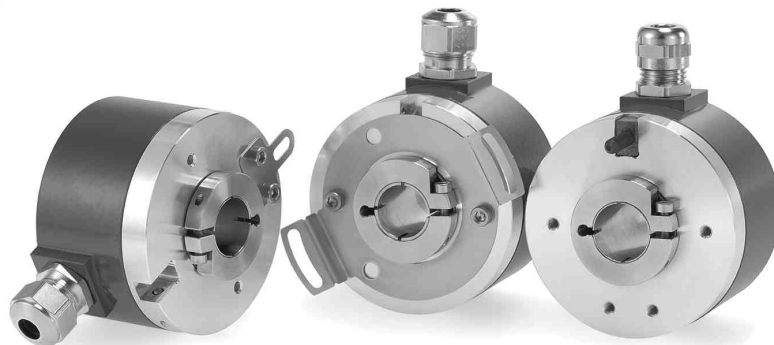


# ROTAMAG

Magnetic incremental encoders

series

MC58 • MC59 • MC60



MC58 • MC59 • MC60



[www.liko.biz](http://www.liko.biz)  
 • Data-sheet  
 • User Manual

## ENVIRONMENTAL SPECIFICATIONS

Shock:	100 g, 6 ms (acc. to MIL STD 202F)
Vibrations:	10 g, 5-2000 Hz (acc. to MIL STD 202F)
Operating temperature range:	-25°C +85°C (-13°F +185°F)
Storage temperature range:	-25°C +85°C (-13°F +185°F) (98% R.H.without condensation)
Protection:	IP64
Option:	• IP67 Protection (only with cable output)

## MECHANICAL SPECIFICATIONS

Dimensions:	see drawing
Shaft hollow:	Ø 14, 15 mm
Shaft loading (axial and radial):	30 N max.
Shaft rotational speed:	6000 rpm max.
Starting torque at 20°C:	≤ 1,5 Ncm (typical)
Moment of inertia:	~30 gcm <sup>2</sup>
Bearings life:	10 <sup>9</sup> rev. min.
Weight:	~ 0,3 kg (10,6 oz)

## ELECTRICAL SPECIFICATIONS

STD pulse rate:	20-40-80-160-200-320-400-500-640-800-1000
(other PPR upon request)	1280-1600-2000-2500-2560-5000-10000
Power supply:	+5V ±5%, +10V +30V, +5V +30V
Output circuits:	Push-Pull, Line Driver, PP/LD
Output current (per channel):	40 mA max.
Output frequency:	500 kHz max.
Input current:	60 mA max.
Protection:	against inversion of polarity (except +5V version) outputs are protected against short-circuit (except Line Driver version)

## MATERIALS

Flange:	non corroding
Housing:	non corroding
Bearings:	ABEC 5
Shaft:	stainless steel, non-magnetic

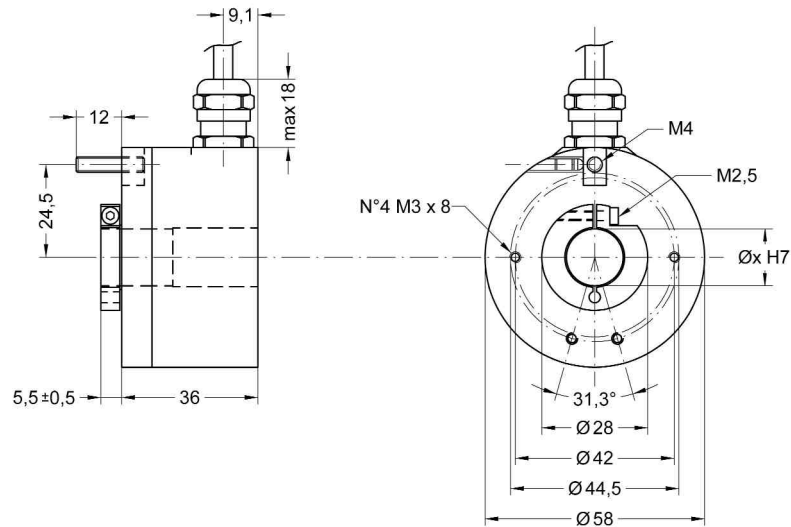
## ELECTRICAL CONNECTIONS

1	2	Function
Brown	Yellow	A
-	Blue	/A
Blue	Green	B
-	Orange	/B
White	White	0
-	Grey	/0
Red	Red	+Vdc
Black	Black	0 Vdc GND

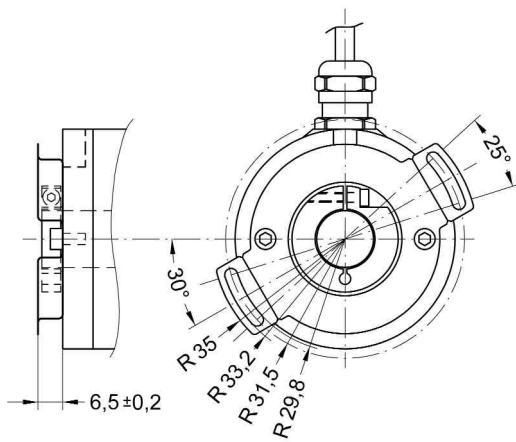
1 = Shielded cable LIKA 5x0,22 mm<sup>2</sup>  
 2 = Shielded cable LIKA 8x0,22 mm<sup>2</sup>

## ACCESSORIES

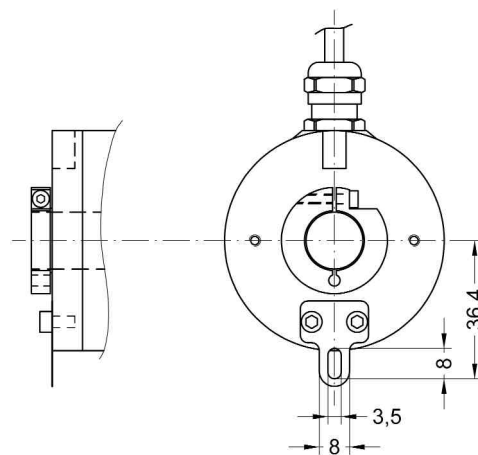
EDE9S:	9 pin DSub mating connector
BR1-xx:	Reducing sleeves



MC58

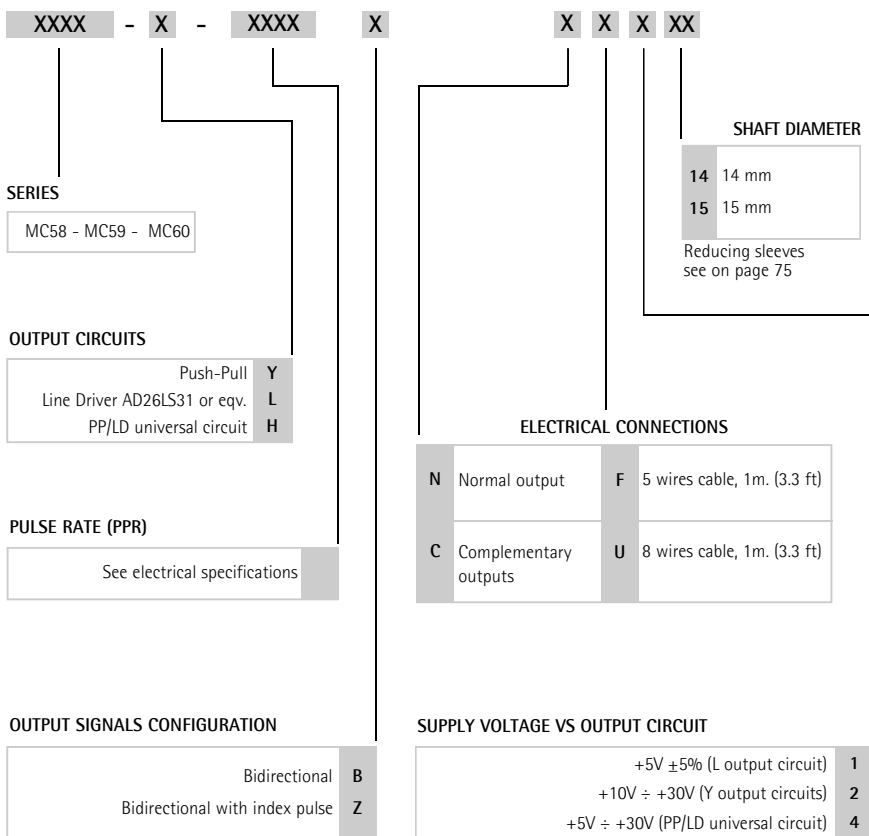


MC59



MC60

ORDERING CODE



ADDITIONAL CODE (indicate only if necessary)

