

# ROTAMAG

Magnetic absolute encoders

series

MM36 • MMC36



## ENVIRONMENTAL SPECIFICATIONS

Schock:	100 g, 6 ms (MIL STD 202F)
Vibrations:	10 g, 5-2000 Hz (MIL STD 202F)
Operating temperature range:	-20°C +85°C (-4°F +185°F)
Storage temperature range:	-20°C +85°C (-4°F +185°F) (98% R.H. without condensation)
Protection:	IP65
Option:	• protection IP67

## MECHANICAL SPECIFICATIONS

Dimensions:	see drawing
Shaft:	Ø 6 mm
Shaft loading (axial and radial):	20 N max.
Shaft rotational speed:	12000 rpm max.
Starting torque at 20°C:	≤ 0,3 Ncm
Moment of inertia:	~ 20 gcm <sup>2</sup>
Bearings life:	10 <sup>9</sup> rev.min
Weight:	~ 0,1 kg
Electrical connections:	Cable 1 m
Accuracy:	± 1°

## ELECTRICAL SPECIFICATIONS

Output codes:	Gray, Binary
Power supply:	+10Vdc +30Vdc
Start-up time:	~ 200 msec.
Output circuits:	SSI (25 bit, LSB aligned, clock 300 kHz max., T <sub>p</sub> =64 µsec.)
Resolution:	1024 counts/rev. x 32768 rev. 2048 cpr x 16384 rev. 4096 cpr x 8192 rev.
Output current:	20 mA max.
Counting frequency:	10 kHz max.
Power consumption:	25 mA max.
Protection:	protected against inversion of polarity
Battery life:	10 years min.
Functions:	• Counting direction (Complementary) • Electronic zero setting

## MATERIALS

Flange:	non corroding
Housing:	non corroding
Bearings:	ABEC 5
Shaft:	stainless steel, non-magnetic

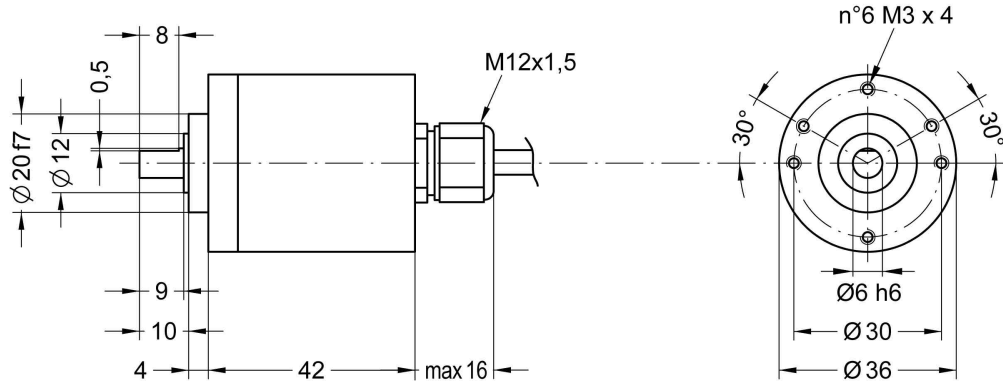
## ELECTRICAL CONNECTIONS

### LIKA cable 8 x 0,25 mm<sup>2</sup>

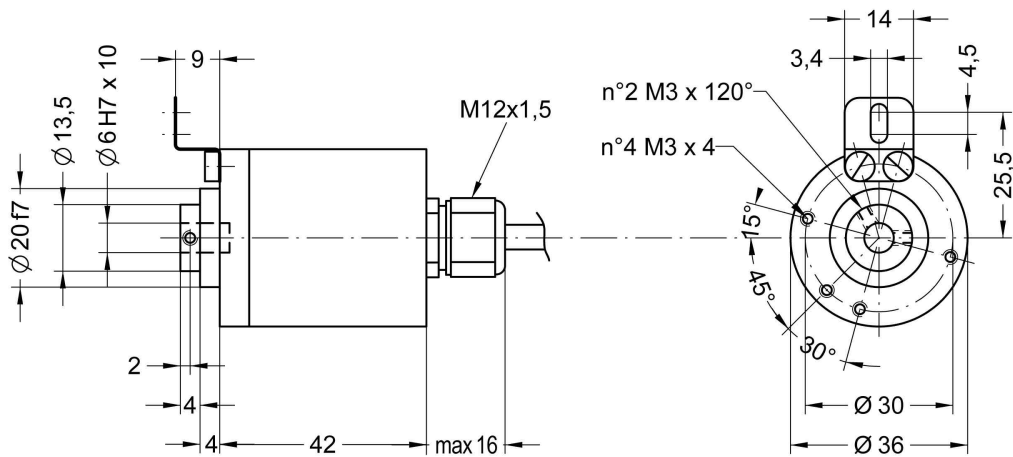
Red	+Vdc
Black	GND
Yellow	Clock in +
Blue	Clock in -
Green	Data out +
Orange	Data out -
Grey	Complementary
White	Zero setting

## ACCESSORIES

PAN/PGF:	Flexible couplings
----------	--------------------



MM36



MMC36

ORDERING CODE

ADDITIONAL CODE (indicate only if necessary)

XXXX	XX/XXXXXX	X	X	-	X	-	X	X
SERIES								
MM36 - MMC36								
RESOLUTION					SHAFT $\varnothing$			Cable length on request
1024 CPR x 32768 rev. 10/32768					6 6 mm			Lx Ex.: L4 = 4 meters (13.2 ft)
2048 CPR x 16384 rev. 11/16384								L7 = 7 meters (23.0 ft)
4096 CPR x 8192 rev. 12/8192								
OUTPUT CODE					OUTPUT CIRCUIT			J Protection IP67
	Binary B				B SSI serial output LSB aligned			
	Gray G							