

ROTAMAG

Magnetic absolute encoders

series

MM58 • MM58S • MMC58



- Magnetic sensing, absolute
- Very shock-proof
- Through hollow shaft



MMC58 • MM58 • MM58S



www.lika.biz
• Data-sheet
• User Manual

ENVIRONMENTAL SPECIFICATIONS

Shock:	100 g, 6 ms (MIL STD 202F)
Vibrations:	10 g, 5-2000 Hz (MIL STD 202F)
Operating temperature range:	-20°C +85°C (-4°F +185°F)
Storage temperature range:	-20°C +85°C (-4°F +185°F) (98% R.H. without condensation)
Protection:	IP65
Option:	• protection IP67

MECHANICAL SPECIFICATIONS

Dimensions:	see drawing
Shaft:	Ø 6, 8, 9.52, 10, 12, 14, 15 mm
Shaft loading (axial and radial):	100 N max.
Shaft rotational speed:	12000 rpm max.
Starting torque at 20°C:	MM58: 0,15 Ncm (typical) MM58S: 0,40 Ncm (typical)
Moment of inertia:	80 gcm ²
Bearings life:	10 ⁹ rev.min
Weight:	~ 0,4 kg
Electrical connections:	Cable 1 m

ELECTRICAL SPECIFICATIONS

Output codes:	Gray, Binary
Power supply:	+10Vdc +30Vdc
Start-up time:	200 msec.
Output circuits:	SSI (clock 500 kHz, T _p =64 µsec.)
Resolution:	1024 counts/rev. x 32768 rev. 2048 cpr x 16384 rev. 4096 cpr x 8192 rev.
Output current:	20 mA max.
Counting frequency:	20 kHz max.
Accuracy:	± 1°
Protection:	protected against inversion of polarity
Battery life:	10 years min.
Functions:	• Counting direction (Complementary) • Electronic zero setting

ELECTRICAL CONNECTIONS

LIKA cable 4x2x0,25 mm²

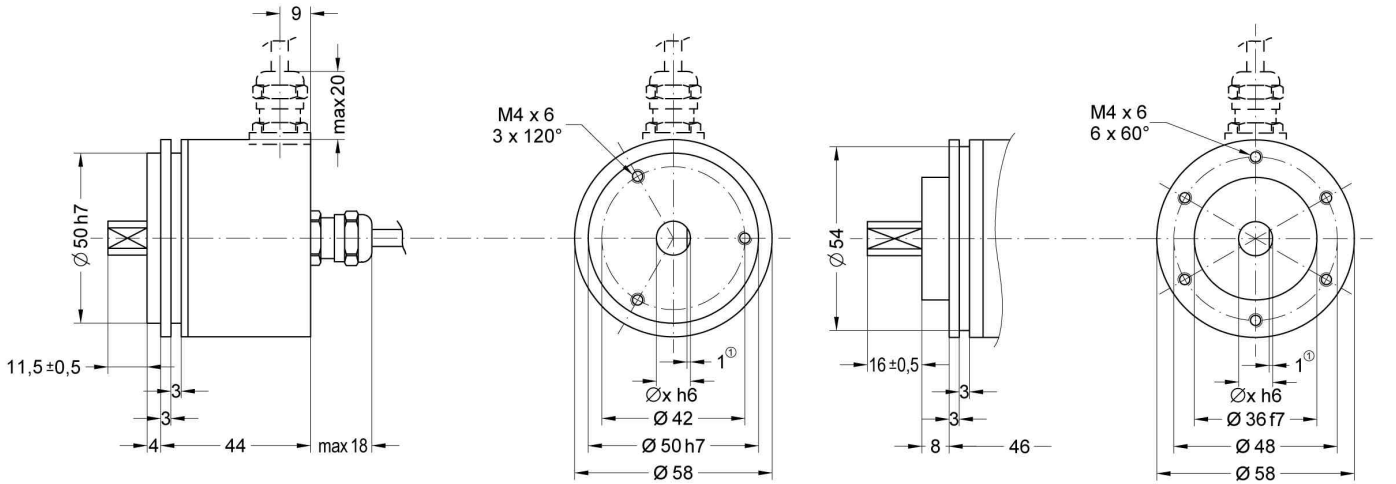
Red	+10Vdc +30Vdc
Black	0Vdc GND
Green	Data +
Yellow	Data -
White	Clock in +
Brown	Clock in -
Blue	Complementary
Pink	Zero setting

MATERIALS

Flange:	AISI 420
Housing:	AISI 420
Bearings:	ABEC 5
Shaft:	stainless steel, non-magnetic

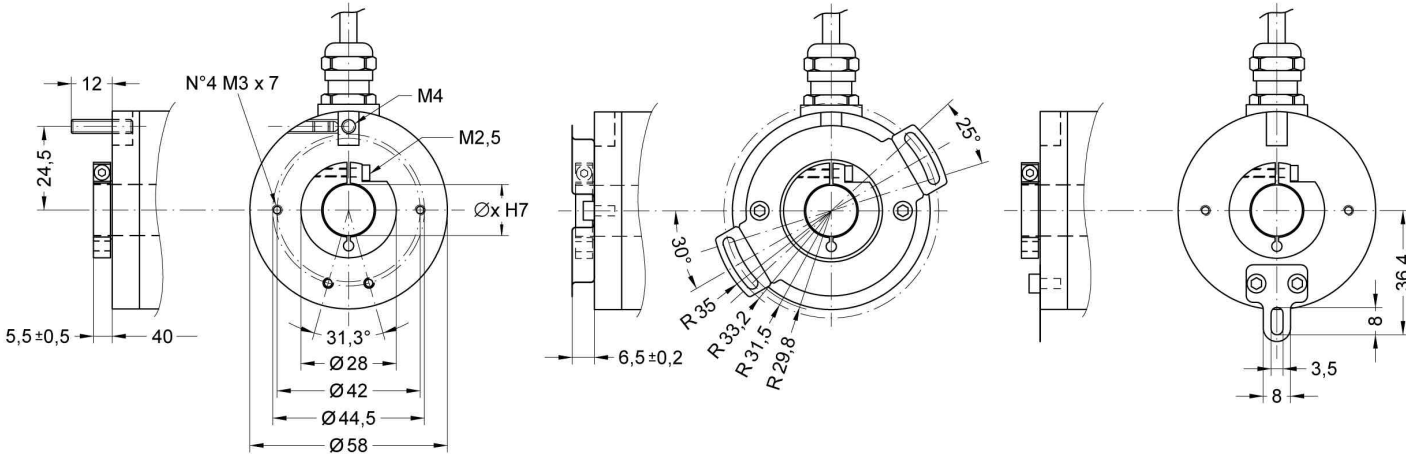
ACCESSORIES

PAN/PGF:	Flexible couplings
BR1:	Reducing sleeves
LKM-386:	Fixing clamps



MM58

MM58S



MMC58

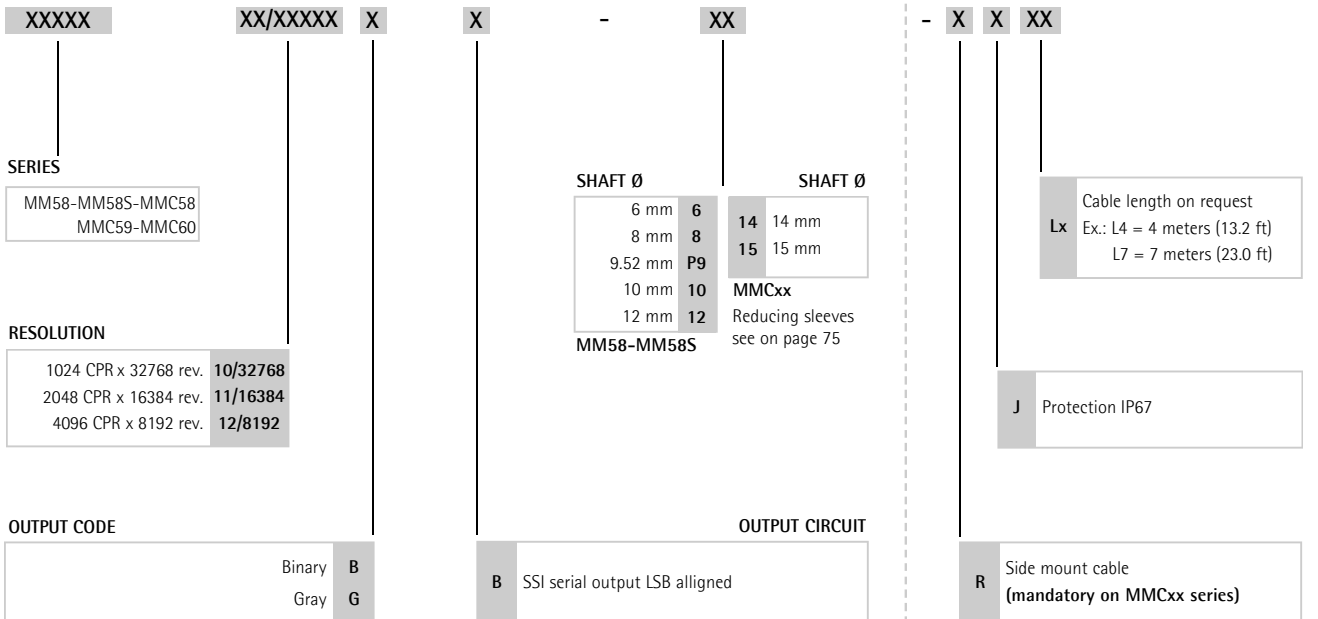
MMC59

MMC60

(1) 0,5 mm with Ø 6 shaft

ORDERING CODE

ADDITIONAL CODE (indicate only if necessary)



SHAFT Ø		SHAFT Ø
6 mm	6	14 14 mm
8 mm	8	15 15 mm
9.52 mm	P9	
10 mm	10	
12 mm	12	

MMCxx
Reducing sleeves
see on page 75

MM58-MM58S

*see page 69