

ROTACOD

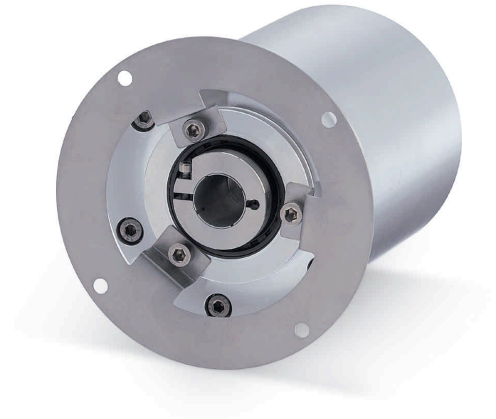
ATEX absolute encoder

series

XAC77



- Encoder with ATEX II 2GD Ex d IIC T6 certification
- For use in areas 1, 2, 21 and 22
- Resolution up to 30 bit
- SSI, Profibus, CANopen and parallel output



XAC77

ENVIRONMENTAL SPECIFICATIONS

Schock:	50 g, 11 ms (EN 60068-2-27)
Vibrations:	10 g, 10-2000 Hz (EN 60068-2-6)
Environmental temperature at max. speed:	40°C max.
Operating temperature range:	-25°C +85°C (-13°F +185°F)
Storage temperature range:	-25°C +85°C (-13°F +185°F)
	(98% R.H. without condensation)
Protection:	IP65

MECHANICAL SPECIFICATIONS

Protection mode:	EEx d IIC T6
Dimensions:	see drawing
Shaft:	Ø 14 mm
Shaft loading (axial and radial):	60 N max.
Shaft rotational speed:	6000 rpm max.
Starting torque at 20°C:	< 5 Ncm
Moment of inertia:	~ 40 gcm ²
Bearings life:	> 10 ⁹ rev. min.
Weight:	~ 1,1 kg
Electrical connections:	cabl 1 m

ELECTRICAL SPECIFICATIONS

Output code:	Gray, Binary
Power supply:	+10Vdc +30Vdc
Output circuits:	NPN o.c., Push Pull, SSI, Profibus-DP, CANopen
Input current:	150 mA max.
Output current (per channel):	40 mA max.
Output frequency:	60 kHz max.
Inputs:	<ul style="list-style-type: none">• Complementary (inversion of counting direction)• Preset value (zero setting)
Accuracy:	30% LSB
Protection:	protected against inversion of polarity and short-circuit
Optoelectronic life:	100.000 hrs min.
Options:	<ul style="list-style-type: none">• LATCH function• TRI-STATE function

MATERIALS

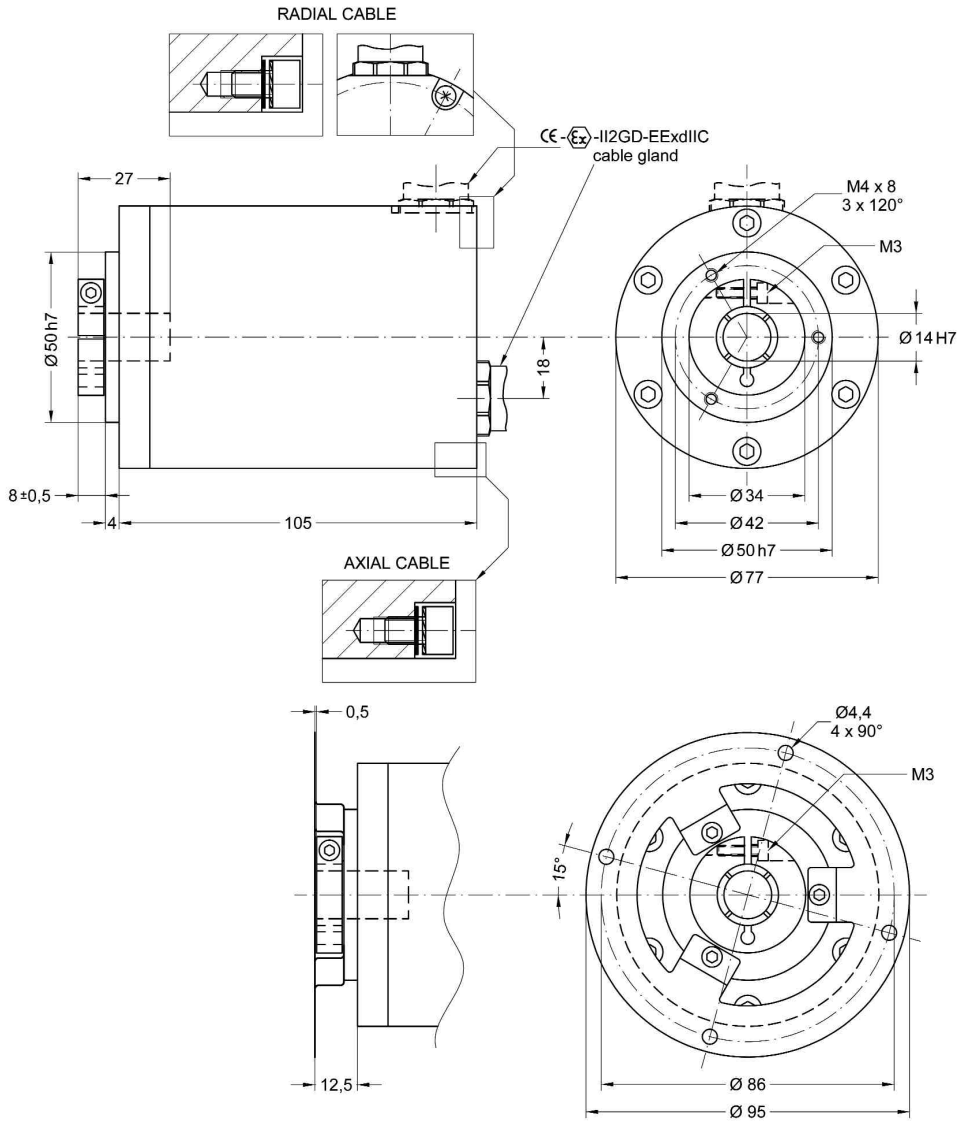
Flange:	non corroding, EN AW-6082 (UNI EN 573)
Housing:	non corroding, EN AW-6082 (UNI EN 573)
Bearings:	ABEC 5
Shaft and clamping ring:	1.4305 (UNI EN 10088-1)

ACCESSORIES

LKM-1758:	Ø 10mm shaft extension
-----------	------------------------



- www.lika.biz
- Data-sheet
 - User manual



XAC77

ORDERING CODE

ADDITIONAL CODE (indicate only if necessary)

XXXXX	X	XXXXX	X	XX	-	XX	X	X
SERIES						SHAFT DIAMETER		
XAC77						14 14 mm		
CODE								
Counts per revolution 1 - 65536 (see on page 66)								
REVOLUTIONS								
1 (single-turn), 4096, 16384								Lx Cable length on request
OUTPUT CODE						OUTPUT CIRCUITS		
Binary B Gray G None code for Profibus and CANopen -						N NPN o.c. Y Push-Pull R SSI serial output RS422 tree format* B SSI serial output RS422 LSB aligned* PB Profibus-DP class 2 (PNO order 3.062) CB CANopen DSP406		R Side mount cable

*see notes on page 69