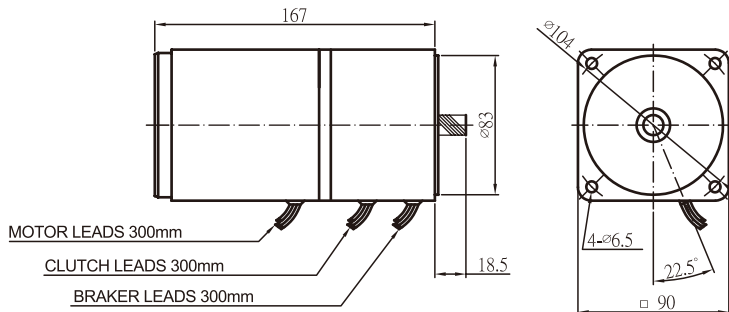


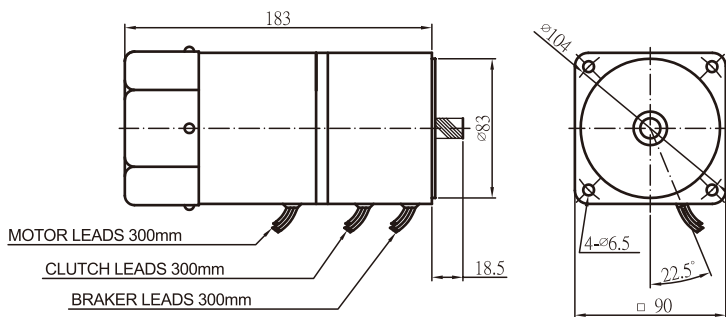
INDUCTION CLUTCH BRAKE MOTOR

■ OUTLINE & SPECIFICATION
 ■ UNIT : mm



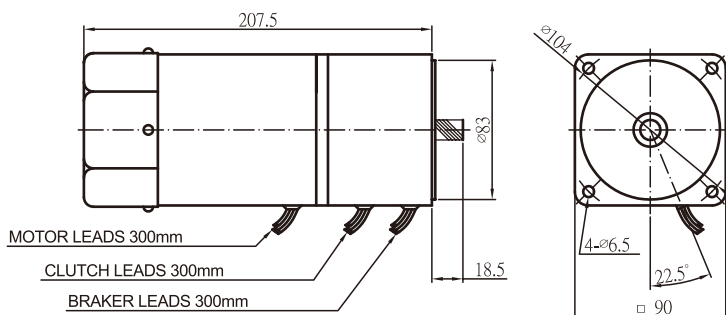
40W

| 40W MODEL | | OUTPUT | VOLTAGE | FREQ. | POLE | RATED SPEED | RATED TIME | STARTING TORQUE | RATED TORQUE | RATED CURRENT | CAPACITY |
|------------|---------------|--------|-----------|-------|------|-------------|------------|-----------------|--------------|---------------|----------|
| MOTOR | CLUTCH BRAKE | (W) | (V) | (HZ) | (P) | (rpm) | | (Kg.cm) | (Kg.cm) | (A) | (μF) |
| 5IK40GK-A | MBC90GN-DC24V | 40 | 1φ100/110 | 50/60 | 4 | 1250/1600 | Continuous | 2.14/2.66 | 3.17/2.41 | 0.87/0.76 | 10/300V |
| 5IK40GK-C | MBC90GN-DC24V | 40 | 1φ200/220 | 50/60 | 4 | 1300/1650 | Continuous | 1.75/2.17 | 3.01/2.35 | 0.4/0.34 | 2.5/450V |
| 5IK40GK-CE | MBC90GN-DC24V | 40 | 1φ230/240 | 50 | 4 | 1350/1350 | Continuous | 2.3/2.58 | 2.87/2.84 | 0.32/0.32 | 2.5/450V |
| 5IK40GK-S | MBC90GN-DC24V | 40 | 3φ220 | 60 | 4 | 1400/1600 | Continuous | 10.51/7.83 | 2.83/2.4 | 0.29/0.27 | - |
| 5IK40GK-U | MBC90GN-DC24V | 40 | 3φ380 | 60 | 4 | 1350/1600 | Continuous | 9.25/6.68 | 2.85/2.45 | 0.16/0.15 | - |



60W

| 60W MODEL | | OUTPUT | VOLTAGE | FREQ. | POLE | RATED SPEED | RATED TIME | STARTING TORQUE | RATED TORQUE | RATED CURRENT | CAPACITY |
|-------------|---------------|--------|-----------|-------|------|-------------|------------|-----------------|--------------|---------------|----------|
| MOTOR | CLUTCH BRAKE | (W) | (V) | (HZ) | (P) | (rpm) | | (Kg.cm) | (Kg.cm) | (A) | (μF) |
| 5IK60GS-AF | MBC90GX-DC24V | 60 | 1φ100/110 | 50/60 | 4 | 1200/1650 | Continuous | 2.6/2.94 | 5.0/3.5 | 1.8/1.12 | 16/300V |
| 5IK60GS-CF | MBC90GX-DC24V | 60 | 1φ200/220 | 50/60 | 4 | 1250/1600 | Continuous | 3.62/4.41 | 4.64/3.63 | 0.64/0.54 | 4/450V |
| 5IK60GS-CEF | MBC90GX-DC24V | 60 | 1φ230/240 | 50 | 4 | 1300/1350 | Continuous | 4.14/5.22 | 4.56/4.40 | 0.56/0.55 | 4/450V |
| 5IK60GS-SF | MBC90GX-DC24V | 60 | 3φ220 | 60 | 4 | 1300/1550 | Continuous | 13.72/10.70 | 4.47/3.77 | 0.41/0.39 | - |
| 5IK60GS-UF | MBC90GX-DC24V | 60 | 3φ380 | 60 | 4 | 1400/1550 | Continuous | 14.33/10.15 | 4.2/3.79 | 0.21/0.22 | - |



90W

| 90W MODEL | | OUTPUT | VOLTAGE | FREQ. | POLE | RATED SPEED | RATED TIME | STARTING TORQUE | RATED TORQUE | RATED CURRENT | CAPACITY |
|-------------|---------------|--------|-----------|-------|------|-------------|------------|-----------------|--------------|---------------|----------|
| MOTOR | CLUTCH BRAKE | (W) | (V) | (HZ) | (P) | (rpm) | | (Kg.cm) | (Kg.cm) | (A) | (μF) |
| 5IK90GS-AF | MBC90GX-DC24V | 90 | 1φ100/110 | 50/60 | 4 | 1300/1650 | Continuous | 4.76/5.86 | 6.68/5.33 | 1.5/1.41 | 22/250V |
| 5IK90GS-CF | MBC90GX-DC24V | 90 | 1φ200/220 | 50/60 | 4 | 1300/1650 | Continuous | 4.3/4.21 | 6.89/5.34 | 0.76/0.72 | 5/450V |
| 5IK90GS-CEF | MBC90GX-DC24V | 90 | 1φ230/240 | 50 | 4 | 1350/1350 | Continuous | 4.93/5.08 | 6.44/6.42 | 0.66/0.68 | 5/450V |
| 5IK90GS-SF | MBC90GX-DC24V | 90 | 3φ220 | 60 | 4 | 1400/1650 | Continuous | 23.3/18.25 | 6.4/5.3 | 0.7/0.6 | - |
| 5IK90GS-UF | MBC90GX-DC24V | 90 | 3φ380 | 60 | 4 | 1400/1650 | Continuous | 23.3/18.14 | 6.3/5.3 | 0.4/0.3 | - |