



GRAESSNER

MS-Graessner GmbH & Co. KG

THE GEAR COMPANY

Product Overview

www.graessner.de

DYNA GEAR



The high dynamic right angle gearbox

- Hypoid gear sets
- High input speed at middle and highest torque
- Ratios $i = 3:1$ up to $15:1$, single-stage
- Ratios up to $150:1$ in two-stages
- Torque up to 1440 Nm
- Flexible motor mounting via flange and coupling
- Low backlash $\leq 2 \text{ arcmin}$
- Variable ratios within one gearbox size

DYNA GEAR *Economy*



The cost optimized right angle gearbox

- Hypoid gear sets
- High input speed at middle torque
- Ratios $i = 5:1, 8:1, 10:1$ and $15:1$, all single-stage
- Torque up to 140 Nm
- Flexible motor mounting via flange and coupling
- Backlash $\leq 6 \text{ arcmin}$
- Variable ratios within one gearbox size

DESIGN GEAR



The customized special gearbox

- Single-stage gearboxes available as gear-change and reversing gearbox types
- Forced-circulation oil lubricated gearboxes for high speed and torque
- Labyrinth sealed gearboxes of an efficiency $> 99\%$
- Special-purpose design gearboxes with additional elements for use as functional units
- Wide range of options available on request

Gearing precision with performance.

A bevel gear on its own is insignificant. Incorporated into a system, comprising the housing, shafts, flanges and especially the bearing system, the bevel gear can fulfil its task. MS-GRAESSNER is always a step ahead with more than 50 years experience. Either in gear teeth cutting or in gear construction, intelligent solutions for the various branches and applications make MS-GRAESSNER a reliable partner of the industry.

BEVEL GEAR



Spiral-, Hypoid and Zerol® Bevel Gears

- Standard range of products and custom-made versions
- Module m_s from 0.5 to 12
- Diameters up to 410 mm
- Shaft angle from 10° to 170°
- More than 50 years of experience
- In-house gearing calculations
- We manufacture to your drawing or advise you of possible alternatives
- Ground gear teeth

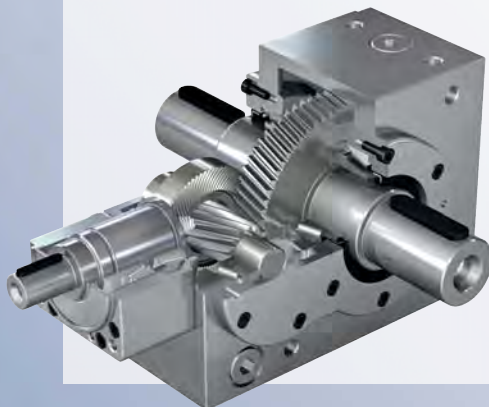
POWER GEAR



The high torque distribution gearbox

- Highest torque within small gearbox size
- For medium input speed
- Ratios $i = 1:1$ up to $5:1$
- Torque up to 7000 Nm
- Output via solid and hollow shaft
- Motor mounting either directly or via flange and coupling

KS TWINGEAR



The bevel helical gearbox

- Two-stage bevel helical gearbox with ratios of up to 75:1
- Torques up to 7500 Nm
- Torsional backlash < 6 arcmin
- Compact design
- Motor mounting either directly or via flange and coupling
- High torsional stiffness
- High input speeds at high torques

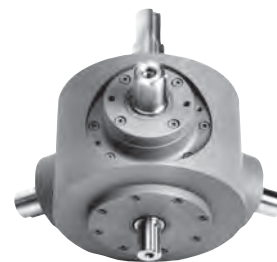
DYNA GEAR



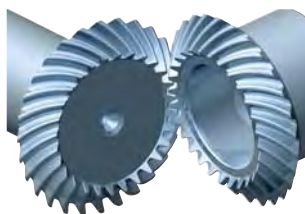
DYNA GEAR *Economy*



DESIGN GEAR



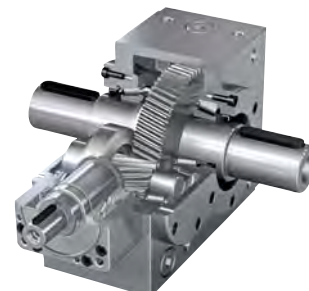
BEVEL GEAR



POWER GEAR



KS TWIN GEAR



Germany



MS-GRAESSNER GmbH & Co. KG
 THE GEAR COMPANY
 Kuchenäcker 11
 72135 Dettenhausen
 Phone: +49 (0) 7157/123-0
 Fax: +49 (0) 7157/123-212
 E-Mail: mail@graessner.de
 www.graessner.de

Austria



GRAESSNER GmbH
 Perfektastraße 61
 Objekt 6/2
 1230 Wien
 Phone: +43 (1) 69924 30-0
 Fax: +43 (1) 69924 30-20
 E-Mail: graessner@graessner.at
 www.graessner.at

For more information on MS-GRAESSNER's worldwide distribution network, please visit:
www.graessner.de